

BULLHEAD STUDIO

BROADCAST

2-AXIS REMOTE HEAD FOR CAMERAS UP TO 10KG

FULL REMOTE OPERATION
IDEAL FOR LIVE PRODUCTION
AND STUDIO OPERATION



UNIFIED HEADMOUNT
COMPATIBLE WITH SLIDERS,
JIBS AND TRIPODS

SUPPORTS UP TO 10KG
SUITABLE FOR FULL-SIZE STUDIO
CAMERA

The BULLHEAD STUDIO is extremely precise and ideal for creating special effects where repetitive and accurate movement is essential. The head can be used as a standalone device, mounted on a tripod or any other support. BULLHEAD STUDIO works perfectly as a remote head for cranes and sliders. Together with the QRS-1 slider, it creates an unified 3D motion control system.



A Nikon Company



MARK ROBERTS MOTION CONTROL

BULLHEAD STUDIO SPECIFICATIONS



FULL REMOTE
OPERATION /
PRODUCTION



ONE-BUTTON
TOUCH PRE-SET
RECALL



RELIABLE FOR
VIDEO AND STILL
CAPTURE



POLYMOTION
CHAT AND MHC
COMPATIBLE



REPEATABLE
MOVES

HIGH-QUALITY CONNECTORS

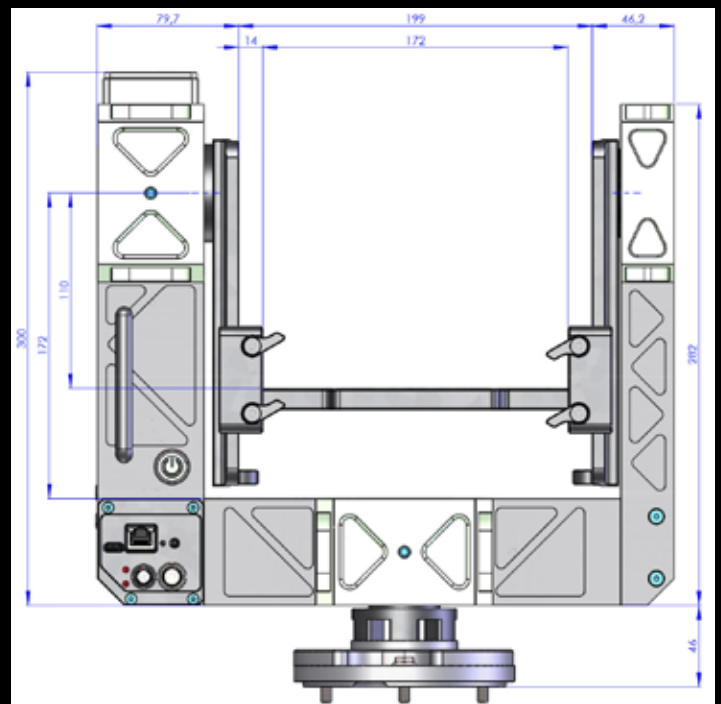
Our new lineup of devices uses heavy-duty LEMO connectors. The new design includes power and data connections in one cable, which allows you to work faster and safer - without tangling the unnecessary wires.

The connectors are compatible with a wide range of AC adaptors, from small chargers for one device to large power bricks with communication modules designed for big setup.

UNIFIED HEAD MOUNT

The BULLHEAD STUDIO is equipped with our unified head mount, compatible with SLIDEKAMERA's heavy sliders (the TITAN slider and ATLAS MODULAR), as well as our jibs and tripods.

This ensures that the head is mounted firmly and allows to attach the unit safely in an upside-down configuration.



SPECIFICATIONS

Maximum payload capacity	10kg
Dimensions	Width: 324mm Depth: 157 mm Height: 346 mm
Weight	28.6kg
Maximum rotation speed	72°/s (360°/5s)
Maximum acceleration	360°/s ²

Inputs	HET-BUS & DC 36V: LEMO 6-pin Controller: mini-LEMO 4-pin (includes 12V power out for the controller).
Outputs	LCS: mini-LEMO 6-pin Trigger: mini-jack 2.5mm USB-C RJ-45 (Ethernet)



MARK ROBERTS MOTION CONTROL

MARK ROBERTS MOTION CONTROL
TELEPHONE: +44 (0)1342 838000
EMAIL: info@mrmoco.com
www.mrmoco.com

A Nikon Company

