

STUDIOBOT XL

BROADCAST

COMPACT, INNOVATIVE ROBOTIC SYSTEM



PAYLOAD
CAPACITY (KG)

FULLY PROGRAMMABLE,
REPEATABLE MOVES

AN UNPARALLELED RANGE
OF MOTION AND UNIQUE CAMERA ANGLES



ULTRA SMOOTH,
QUIET ON-AIR SHOTS

LIVE BROWSING MODE
FOR DYNAMIC ON-AIR
MOVE ADJUSTMENTS

TRACK MOUNTABLE

The StudioBot XL is a 9-axis robotics system with a large operating envelope that offers superior visual creativity to traditional dolly systems. With a high payload capacity and the ability to carry full size teleprompters, the XL supports a wide range of creative shots. Offering all the benefits of integrating with studio automation and 3d graphics systems, the StudioBot XL creates a vast range of programmable and repeatable shots for studio environments.



A Nikon Company



MARK ROBERTS MOTION CONTROL

STUDIOBOT XL SPECIFICATIONS



Capable of performing a wide range of programmable and repeatable shots, the nine-axis StudioBot XL offers synchronised motion, including track, lift, pan and tilt, while its ultra-smooth quiet movements are perfect for on-air use.



EASY TO USE

The simple and intuitive interface allows an operator to design their camera movements into smooth, highly accurate motion.



FLEXIBLE AUTOMATION

The StudioBot XL offers the ultimate flexibility for any production situation, with both fully automated trigger and live control of programmed moves.



REPEATABLE MOVES

Program precise saveable camera preset movements.



TELEPROMOTER

Innovative teleprompter solution for vibration-free camera moves.



JOYSTICK CONSOLE

For moving the robot and the linear track with joysticks.



COLLISION AVOIDANCE

Prevents collisions with studio equipment.



AUTOTRACKING

Automatically tracks presenters.



CEILING MOUNTED OPTION

The StudioBot XL can be floor or ceiling mounted.

OPERATING ENVELOPE

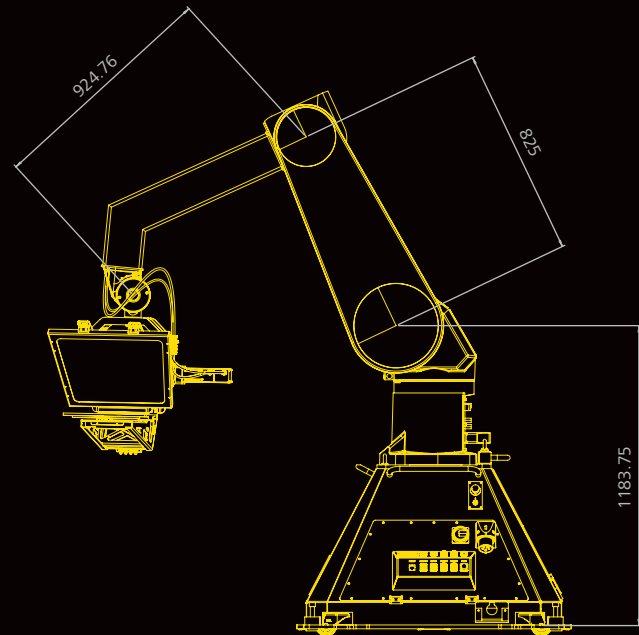
Maximum Height (with level head)	2.8m / 9'2"
Lowest position	Ground level
Maximum reach (from rotate centre)	1.76m / 5'8"

RIG PERFORMANCE

Repeatability	± 0,05mm
Robot speed	up to 1 m/s
Nominal load	14kg
Linear track speed	1 m/s
Redundancy	Power Supply / RAID-System
Supported lenses	All types

RIG WEIGHTS

Maximum camera payload	20kg / 44lbs
-------------------------------	--------------



MARK ROBERTS MOTION CONTROL

MARK ROBERTS MOTION CONTROL

TELEPHONE: +44 (0)1342 838000

EMAIL: info@mrmoco.com

www.mrmoco.com/studiobot



A Nikon Company