

AFC ROBOTIC HEAD



AFC-100S



KEY FEATURES

- ▶ Light weight
- ▶ Slipping for unlimited pan rotation
- ▶ High level accuracy
- ▶ Lens control capability
- ▶ Camera agnostic

TECHNICAL INFORMATION

Weight	6.1kg
Camera payload	15kg
Connections on slipping	<ul style="list-style-type: none"> ▶ 24Vdc, 3G HD SDI, RJ45 Gigabit Ethernet (1000 BASE-T) (IEEE 802.3ab), tri-level sync connection
Connections on AFC 100	<ul style="list-style-type: none"> ▶ 2X 12Vdc output for accessories ▶ Lens motor Lemo connections for Zoom, Focus and Iris ▶ RJ45 Gigabit Ethernet (1000 BASE-T) (IEEE 802.3ab) ▶ 3G HD SDI Max output 1080p 50/60 FPS (AFC 100 S) ▶ 12Vdc output on 4 pin XLR ▶ 24 VDC input (AFC 100) ▶ Tri-level sync connection (AFC 100 S) ▶ Stepper axis for roll ring (AFC 100 S) ▶ Serial lens connection (10 pin Hirose) ▶ Serial port service connection (10 pin Hirose) ▶ 4 pin Lemo trigger (stills camera)
Power requirements	100 – 240 VAC 16A
Temperature range	0 – 45 Degrees Celcius
Humidity tolerance	0% to 85% relative humidity, non-condensing
Axes speed	<ul style="list-style-type: none"> ▶ Pan: 0.001° – 100° per second ▶ Tilt: 0.001° – 100° per second ▶ Zoom: 0.001° – 60° per second ▶ Focus: 0.001° – 60° per second ▶ Iris: 0.001° – 60° per second
Accuracy of playback (angular resolution)	0.5 arc-min
Multi Head Controller software MHC	Available as a 32 bit or 64 bit installer and will need a licence key to activate
Computer requirements	<p>Minimum requirements:</p> <ul style="list-style-type: none"> ▶ Windows 10 ▶ Intel i3 CPU (Intel i5 recommended) ▶ 4GB of RAM (8GB recommended) ▶ Ethernet adapter ▶ A graphics card with support for OpenGL v4.3 or greater
What's in the box	<ul style="list-style-type: none"> ▶ AFC 100 (S) ▶ 24V XLR PSU 120W ▶ UK 5 amp 2m power cable (IEC) ▶ European 2m power cable (IEC) ▶ USA 2m power cable (IEC) ▶ Cable AFC (10w Hirose m) to Fujinon Lens (20w Hirose m) RS232 80cm ▶ Cable AFC (10w Hirose m) to Canon Lens (20w Hirose m) RS422 80cm ▶ USB Stick with AFC Documents ▶ HD thin cable with 3G HD-SDI - BNC connectors 0.6M ▶ 12V 4W XLR PLG to XLR 4W SKT POWER CABLE (0.6m)

TECHNICAL INFORMATION

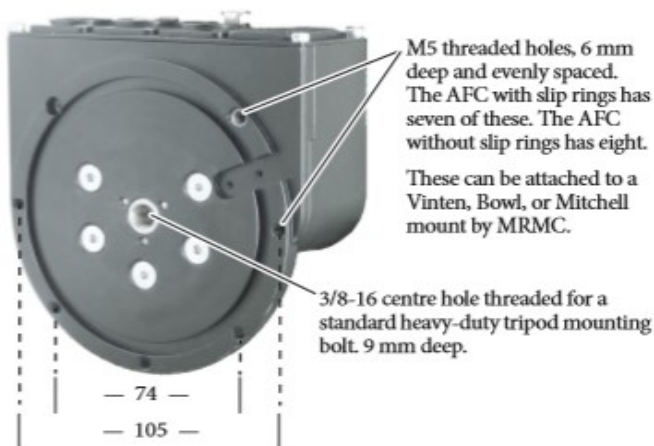
Standard and Additional accessories for AFC

- ▶ Mini Maxon Motor LCM & arm 32DP & clamp
- ▶ Mini Maxon Motor LCM, 75mm arm & clamp, 32DP
- ▶ AFC Stepper roll system
- ▶ AFC Standard Platform Set (German G/B)
- ▶ Offset mounting plate: allows longer and heavier cameras/lenses to be seated on the head
- ▶ Scaffolding head mounting assembly
- ▶ 110mm RISER for AFC 100S
- ▶ Matt bars for mounting of LCM lens motors
- ▶ Mini Teensy USB Joystick
- ▶ Focus and zoom rings for Nikon lenses: 16-35mm, 24-70mm, 24-120mm, 80-400mm, 200-500mm
- ▶ Fujinon lens cable 20-pin to 10-pin and DC Jack power
- ▶ Cable AFC (10w Hirose m) to Canon Lens (20w Hirose m) RS422 80cm
- ▶ Cable AFC (10w Hirose m) to Canon Lens (20w Hirose m) RS422 100cm

SIZE

- ▶ Total height – underslung – 350mm (324mm without sliprings)
- ▶ Total height – overslung – 262mm (236mm without sliprings)
- ▶ Total width – 310mm
- ▶ Operational space ~ 600mm³

AFC mounting holes



ACCESSORIES

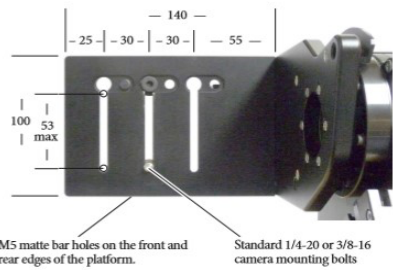
AFC STEPPER ROLL SYSTEM



MINI MAXON MOTOR LCM & ARM 32DP & CLAMP



MOUNTIN PLATE



OFFSET MOUNTING PLATE



110MM RISER FOR AFC 100S



SCAFFOLDING HEAD MOUNTING ASSEMBLY

