

# BOLT<sup>®</sup> MINI MODEL MOVER

CRANES & RIGS

BIG ON CREATIVITY. SMALL ON PRICE.



PAYLOAD  
CAPACITY (KG)



MAXIMUM  
REACH (FEET)

**OPERATES ON FLAIR**  
FOR FRAME ACCURATE  
REPEAT PASSES

**SINGLE PHASE**  
STANDARD MAINS POWER

**MULTIPLE MOUNT OPTIONS**  
INCLUDING CHUCK & CHEESEPLATE

The Bolt Mini Model Mover is an extremely versatile lightweight 6-axis high-speed arm capable of full manipulation of products with repeat pass precision, timing and triggering capabilities. Starting at only £49k (\$68k) the Bolt Mini Model Mover is our entry-level system to start working with high-speed robotics.



A Nikon Company



MARK ROBERTS MOTION CONTROL

# BOLT MINI MODEL MOVER SPECIFICATIONS



## TURNTABLES

Synchronised motion with external triggers and model movers for extreme precision timing.



## PORTABLE

Portable, lightweight robotic unit, designed to be set-up and ready for shooting in under an hour.



## TIMECODE | LIGHTING

Trigger from timecode. Control DMX Lighting.



## REPEATABLE

Every arm move under complete control – precisely repeatable.



## MAYA

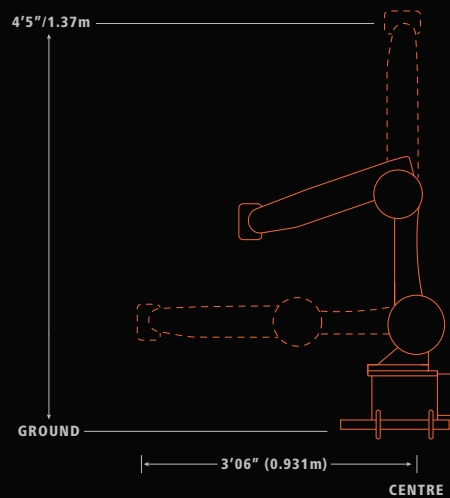
Take moves planned in Maya and feed them into the Bolt Mini Model Mover or interface to AR and VR in real-time.

## RIG SPECIFICATIONS

Reach Radius	3 feet (0.931m)
Degrees of freedom	6
Maximum speed	270°/s
Maximum combined axis speed	10.5 m/s
Repeatability	+/- 0.002mm
Footprint	200 x 300mm
Weight	42kg
Payload	8kg

## POWER CONNECTION

Power requirements	200-230V AC Single Phase
--------------------	--------------------------



MARK ROBERTS MOTION CONTROL

MARK ROBERTS MOTION CONTROL

TELEPHONE: +44 (0)1342 838000

EMAIL: [info@mrmoco.com](mailto:info@mrmoco.com)

[www.mrmoco.com/boltminimodelmover](http://www.mrmoco.com/boltminimodelmover)

A Nikon Company

