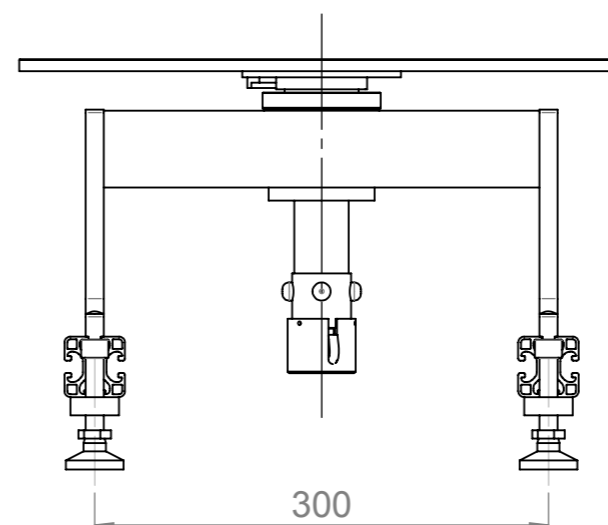
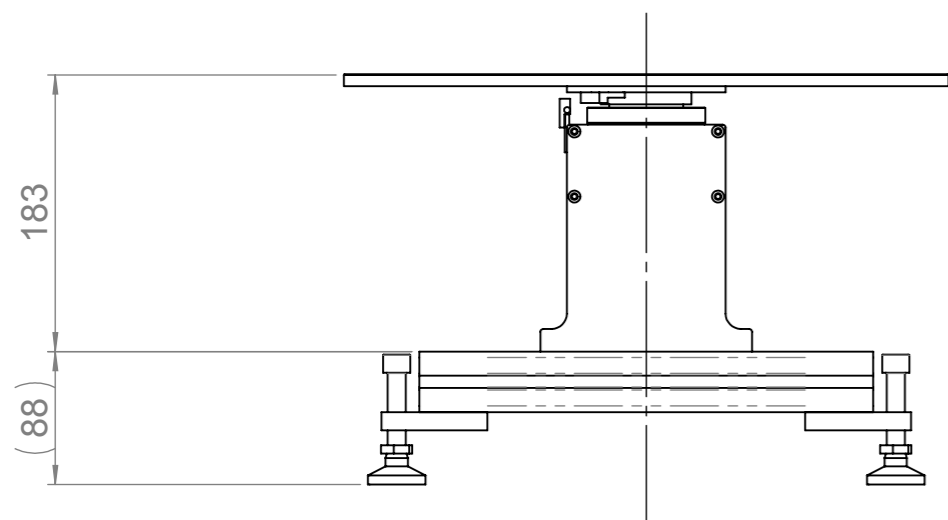


Rotational Speed 120°/s
Capacity 20kg



**BREAK ALL SHARP EDGES & CORNERS
AND REMOVE FIRST THREAD**
TOLERANCES UNLESS INDICATED OTHERWISE STATED

LINEAR & Ø	X	X.X	X.XX
0 - 3	+/- 0.1	+/- 0.05	+/-0.025
>3 - 6	+/- 0.2	+/- 0.1	+/-0.05
>6 - 30	+/- 0.3	+/- 0.15	+/-0.075
>30-120	+/- 0.5	+/- 0.2	+/-0.1
>120-315	+/- 0.6	+/- 0.3	+/-0.15
>315-1000	+/- 1.0	+/- 0.5	+/-0.2

ANGULAR X° X.X° X.XX° **SHAFT Ø TOL h 11**
+/- 3° +/- 1° +/- 0.5° **HOLE Ø TOL H 11**
SURFACE TEXTURE: 3.2MICRONS

REV	DESCRIPTION	DATE	ID
-----	-------------	------	----

MARK ROBERTS MOTION CONTROL
TEL. 01342 838 005 FAX. 01342 838 001

DRG No: MSFMM 0030 -10 REV:1 QTY: OFF

PART: SMALL DC TURNTABLE

MATERIAL: DATE 28/11/2014

STOCK SIZE: SCALE: 1:5 A3

FINISH: SHEET 1 of 1

DRAWN BY: Ronan Carroll CHECKED: 3rd. ANGLE