



Mark Roberts Motion Control

TELEPHONE
+44 (0)1342 838000

EMAIL
info@mrmoco.com

www.mrmoco.com

The AFC range of Robotic Heads from MRMC

**High-performance
broadcast robotics**



The AFC heads offer unparalleled performance for a compact robotic head and provide advanced features designed to excel at a wide range of production requirements.

With a small footprint and high payload capacity the AFC head is the perfect choice for getting close to the action without compromising picture quality. The art of fluid motion is perfectly realised through the very latest in precision motors and high resolution gearing, together with control interfaces carefully designed to maximise the operator's creative direction.

The AFC's IP-based architecture brings a wide range of benefits to today's broadcast workflows. Whether extending operator control, target tracking or integrating with augmented reality graphics, the AFC fits seamlessly into networked production environments.

AFC-180

The AFC-180 head offers exceptional speed and performance from a compact head. With pan speeds of up to 180° per second, the AFC-180 is ideal for getting trackside and following fast moving targets whilst high-bandwidth slip rings offer unlimited pan rotation.

AFC-100

The AFC-100 head is the ideal choice for a wide range of broadcast applications ranging from studio camera robotics to live events and sports production. Speeds of up to 100° per second can be achieved whilst a high payload capacity offers supports for full studio build-up kits including cameras, teleprompters and accessories.



» Features

- Accurate, fast and compact.
- 360° unrestricted panning with high bandwidth 3G HD video slip-ring options.
- Available in quiet and high-speed variants.
- Networkable and easily scalable for multi-camera operation.
- Ethernet control of head and lens motions.
- Integrated control of all lens types.
- External fibre interfaces for extended operating distances available.
- Control options include Joystick, Pan Bars, and Software (API available).
- Options for track rail and lift.
- Suitable for virtual studios and augmented reality.



Control

For live televised sports and events having the right interface is essential for successfully combining remote control and natural looking motion. MRMC's joystick and pan bar control systems offer the best available translation of operator commands into smooth and precise camera shots. MRMC's studio control software provides an ideal framework for today's integrated studio environments. Multiple camera positions can be easily controlled from a single operator and pre-programmed moves and positions executable via a simple touch screen interface. Integration with virtual graphics and automation systems, as well as an open API for direct control from 3rd party products and software is also supported.



JOYSTICK CONSOLE



TOUCHSCREEN CONTROL



PAN BARS

Integrated I/O and optional slip rings allow for easy field deployment and simplified camera cabling. Lens control of digital and manual lenses is also built-in, further reducing cable runs. Fibre and wireless interfaces are available to extend the AFC and camera RCU operating distances.



FIBRE



WIRELESS

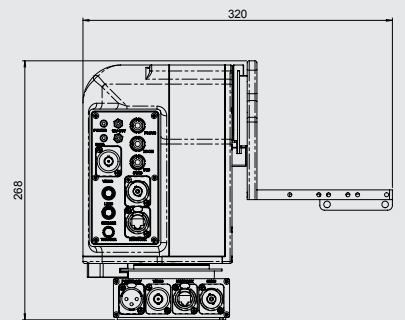


ETHERNET

The AFC's advanced servo system not only offers a high capacity payload, but also provides the level of precision required for accurate motion control moves. Interfaced to MRMC's 'Flair' software, the head is able to track live action along a pre-defined path, controlling camera and lens positioning as a live move or work as a part of a multi-camera tracking system such as MRMC's 'Polycam'.

» Specifications

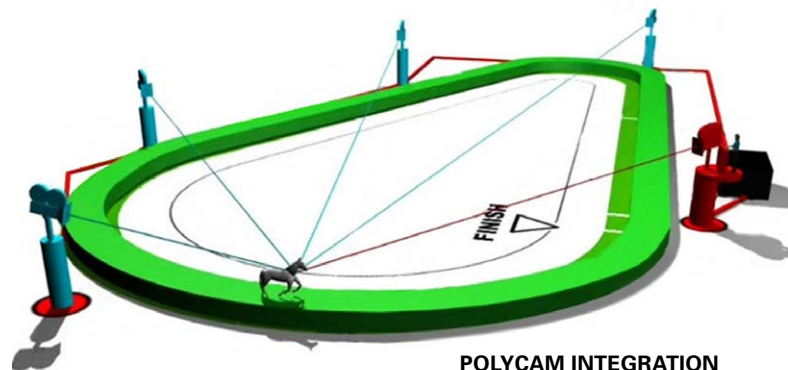
Weight	5kg
Camera Payload	up to 14kg
Max Speed	up to 100°/sec (180°/s on AFC-180)
Acceleration	100°/sec ² (300°/sec ² on AFC-180)
Dimensions	250x256x139mm
Power	24 VDC/110-240 VAC
Resolution	<0.0001°



TARGET TRACKING



MULTI-CAMERA CONTROL



POLYCAM INTEGRATION