



Mark Roberts Motion Control

TELEPHONE
+44 (0)1342 838000

EMAIL
info@mrmoco.com

www.mrmoco.com

Broadcast Solutions AFC-100 Robotic System

The latest in high-performance Broadcast robotics from MRMC

The AFC-100 offers unparalleled performance for a compact robotic head and provides advanced features designed to excel at a wide range of TV production requirements.

From high speed live action, precise time-lapse and silent studio operation, the AFC-100 is designed to exceed the most demanding creative applications. With fully integrated I/O features, network scalability, CCU control and high-bandwidth throughput, the AFC-100 fits seamlessly in current and emerging multi-camera workflows.

MRMC controls every aspect of the manufacturing process allowing for a high level of customised features and personalised finishes.

Please contact our Broadcast Sales Department for further information and pricing.

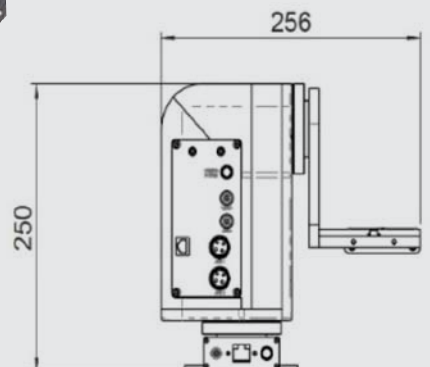


» Features

- Accurate, fast and compact
- High bandwidth pan slip rings with support for up to 3G HD video
- Available with brushless servo or stepper motors
- Networkable and easily scalable for multi-camera operation
- Ethernet control of pan, tilt, zoom and focus (further options include RS232, RS422 & wireless)
- Integrated control of Canon and Fujinon broadcast servo lenses
- External fibre interfaces for extended operating distances available
- Control options include Joystick console, Pan Bars, Handwheels and Flair software
- High quality personalised logo embossing
- Further axis options include vertical and horizontal movement via track/rail system and lift columns

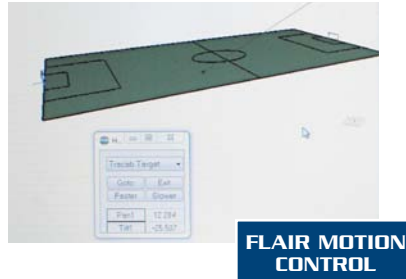
» Specifications

- | | |
|------------------|-----------------------|
| · Weight | 5kg |
| · Camera Payload | up to 14kg |
| · Max Speed | up to 100°/sec |
| · Acceleration | 100°/sec ² |
| · Dimensions | 250x256x139mm |
| · Power | 24 VDC / 110-240 VAC |
| · Resolution | <0.0001° |



AFC-100 Integration and Control System Overview

The AFC-100 can be operated through a number of MRMCO control interfaces, including Joystick, Pan Bars and customised solutions, together with a full range of motion control features via Flair software suite.



Integrated I/O and optional slip rings allow for easy field deployment and simplified camera cabling. Full lens servo control is achieved via Ethernet connectivity with a single cable interface for zoom, focus and iris control of broadcast digital servo lenses. Integrated Ethernet routing also provides useful ports for interfacing with camera remote control panels. Fibre and wireless interfaces are available to extend the AFC-100 and camera CCU operating distances.



FIBRE



WIRELESS



ETHERNET

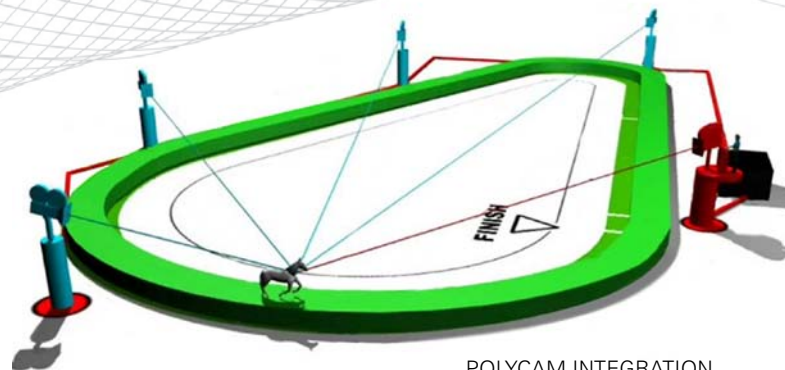
The AFC-100's advanced axis servo system not only offers a high capacity payload, but also provides the level of precision required for accurate motion control moves. Interfaced via an IP architecture and MRMCO's 'Flair' software, the head is able to track live action along a pre-defined path, controlling camera and lens positioning as a live move or work as a part of a multi-camera tracking system such as MRMCO's 'Polycam'.



TARGET TRACKING



MULTI-CAMERA CONTROL



POLYCAM INTEGRATION

Control Features

- » Wide range of control interfaces, including customised solutions
- » Extending control distances offered via fibre and wireless modules
- » Offers ease of integration for IP-based camera control
- » Single cable via AFC-100 head provides highly accurate control of iris, zoom and focus for broadcast lens digital servos
- » Precision encoded servos and compatibility with MRMCO 'Flair' allow a broad range of motion control options to enhance sports and live event coverage

Mark Roberts Motion Control

Mark Roberts Motion Control Ltd.
 Unit 3 South East Studios
 Eastbourne Road, Blindley Heath
 Surrey, RH7 6JP
 United Kingdom

TEL +44 (0)1342 838000

EMAIL info@mrmoco.com

www.mrmoco.com