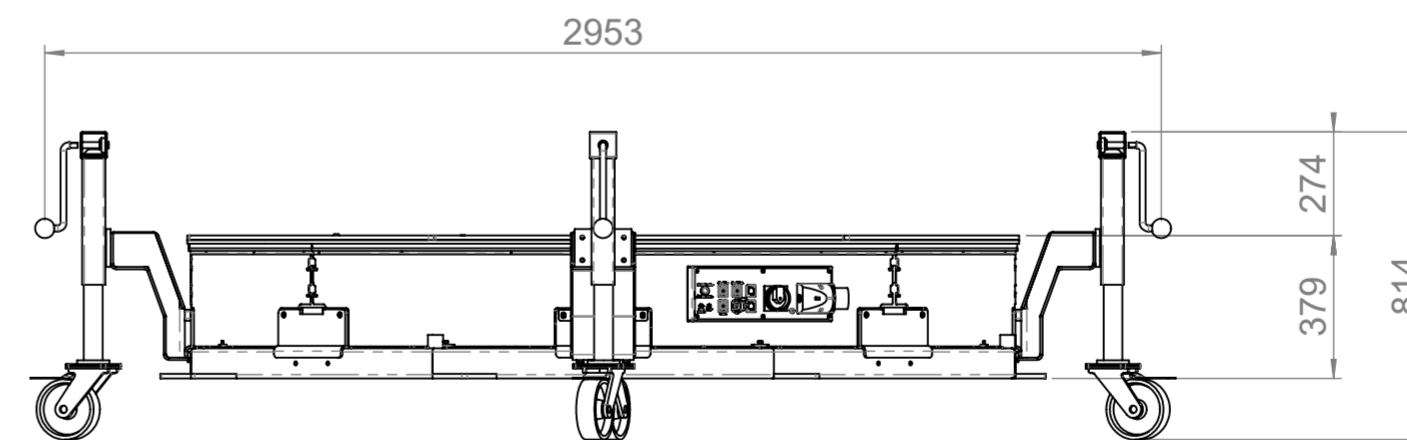
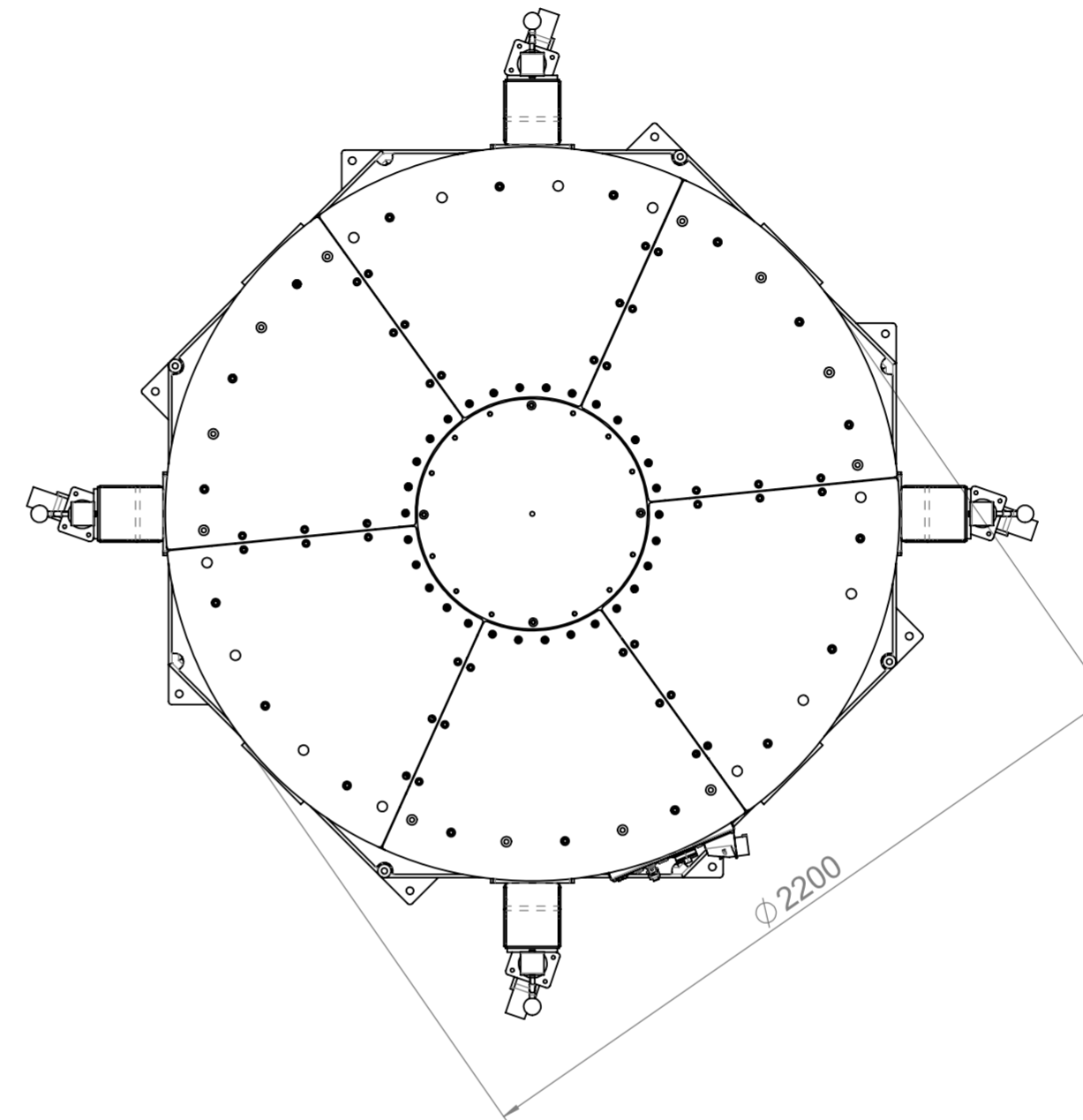


NEW ISSUE	OLD ISSUE	DATE	CO NUMBER	CHANGED BY	REMARKS
2		16-Sep-2019	CHO-000797	P.Sorrell	First Build Mechanical Issues Large Turntable
-		-	--	-	-
-		-	-	-	-



MARK ROBERTS MOTION CONTROL				TEL. 01342 838 005	FAX. 01342 838 001	All dimensions in mm unless otherwise stated																															
<b>TOLERANCES</b> <table border="1"> <thead> <tr> <th>LINEAR</th> <th>X</th> <th>X.X</th> <th>X.XX</th> </tr> </thead> <tbody> <tr> <td>0 - 3</td> <td>+/- 0.1</td> <td>+/- 0.05</td> <td>+/- 0.025</td> </tr> <tr> <td>&gt;3 - 6</td> <td>+/- 0.2</td> <td>+/- 0.1</td> <td>+/- 0.05</td> </tr> <tr> <td>&gt;6 - 30</td> <td>+/- 0.3</td> <td>+/- 0.15</td> <td>+/- 0.075</td> </tr> <tr> <td>&gt;30-120</td> <td>+/- 0.5</td> <td>+/- 0.2</td> <td>+/- 0.1</td> </tr> <tr> <td>&gt;120-315</td> <td>+/- 0.6</td> <td>+/- 0.3</td> <td>+/- 0.15</td> </tr> <tr> <td>&gt;315-1000</td> <td>+/- 1.0</td> <td>+/- 0.5</td> <td>+/- 0.2</td> </tr> </tbody> </table>				LINEAR	X	X.X	X.XX	0 - 3	+/- 0.1	+/- 0.05	+/- 0.025	>3 - 6	+/- 0.2	+/- 0.1	+/- 0.05	>6 - 30	+/- 0.3	+/- 0.15	+/- 0.075	>30-120	+/- 0.5	+/- 0.2	+/- 0.1	>120-315	+/- 0.6	+/- 0.3	+/- 0.15	>315-1000	+/- 1.0	+/- 0.5	+/- 0.2	<b>NOTES</b> Break All Sharp Edges & Corners Surface Texture: 3.2um Tapped Holes: Remove First Thread Shaft $\phi$ Tolerance: h11 Hole $\phi$ Tolerance: H11		<b>DRG No: MT-04-MDL-02</b> Description: Turntable 3 tonne Capacity Material: - Supplier: - Scale: 1:20		Finish: - Supplier Part No: - Stock Size: -	
LINEAR	X	X.X	X.XX																																		
0 - 3	+/- 0.1	+/- 0.05	+/- 0.025																																		
>3 - 6	+/- 0.2	+/- 0.1	+/- 0.05																																		
>6 - 30	+/- 0.3	+/- 0.15	+/- 0.075																																		
>30-120	+/- 0.5	+/- 0.2	+/- 0.1																																		
>120-315	+/- 0.6	+/- 0.3	+/- 0.15																																		
>315-1000	+/- 1.0	+/- 0.5	+/- 0.2																																		
Drawing File: mt-04-mdl-02    Part File: MT-04-MDL-02				Size: A2	Sheet 2 of 2	Drawn By: R. Carroll	Date Created: 24-May-2019																														
						Available File Types: DXF and STEP																															
							3rd. Angle 																														