



MARK ROBERTS MOTION CONTROL

SFH-30 HEAD



QUICK START GUIDE

QSG Product Code: MPMC-1199-02

Products Covered: MPMC-1199-00A, MPMC-1276-00

SFH-30 Quick Start Guide

QSG Product Code: MRMC-1199-02

Products Covered: MRMC-1199-00A, MRMC-1276-00

Modification Date: 4 June 2020

© 2020 Mark Roberts Motion Control Ltd. All rights reserved.

No part of this publication may be reproduced, transmitted, or translated by any means — graphical, electronic, or mechanical — including photocopying, recording, taping, or storage in an information retrieval system, without the express written permission of Mark Roberts Motion Control.

Although every care has been taken to ensure that the information in this document is accurate and up to date, Mark Roberts Motion Control continuously strives to improve their products and may make changes to the hardware, firmware, and software described in this document. Mark Roberts Motion Control therefore cannot be held responsible for any error or omission in this document.

All product names mentioned herein are the trademarks or registered trademarks of their respective owners.

Contact information	
Mark Roberts Motion Control Ltd.	
Unit 3, South East Studios	
Blindley Heath	
Surrey	
RH7 6JP	
United Kingdom	
Telephone:	+44 (0) 1342 838000
E-mail:	info@mrmoco.com (sales and general enquiries) support@mrmoco.com (customer support)
Web:	www.mrmoco.com www.mrmocorentals.com

Contents

Chapter 1	Quick Start.....	1
	Safety.....	1
	Overview.....	1
	Setting up the hardware.....	2
	Connecting the cables.....	5
	Your first session.....	7
	Subsequent sessions.....	10
Appendix 1	Troubleshooting.....	11
	Typical symptoms, causes, and actions.....	11
	Working with Local Area Networks.....	12
	Introduction to LAN addresses.....	12
	Managing LAN addresses with Flair.....	14
Appendix 2	SFH-30 Panel.....	18
	Introduction to SFH-30 connections.....	18
	Quad-box connector summary.....	19
	Quad-box connector pin-out information.....	21
	Stepper motor connector.....	21
	Power 18-36 Volts connector.....	21
	Serial RS232 connector.....	21
	Trigger connector (trigger out and in).....	22
Appendix 3	Specifications.....	24

Chapter 1 Quick Start

Safety

- Do not use around flammable gas. All electrical equipment can generate sparks that can ignite flammable gas.
- The head has powerful motors that can pinch, so take care not to get your hands trapped in the head or cabling.
- Keep the equipment dry. The system has **not** been made weatherproof. Do not use with wet hands.
- Keep cables tidy. Use cable ties to keep them out of harm's way. If you have a head with slip rings then make use of them; avoid running any cables between the base and the rotating head or camera.

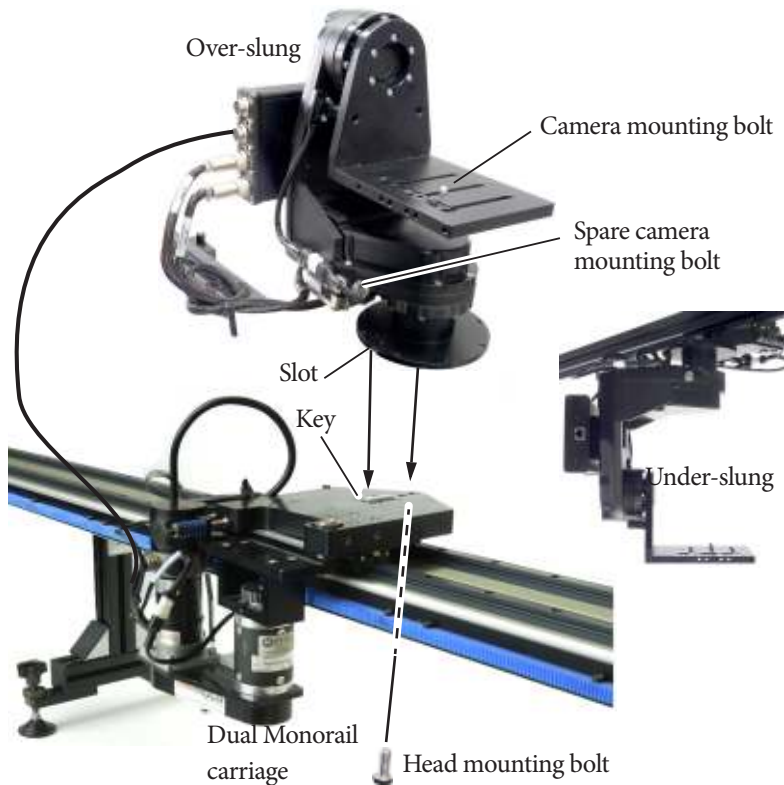
Overview

Thank you for using the SFH-30 robotic camera head from Mark Roberts Motion Control (MRMC). The SFH-30 head is designed for reliable day-in, day-out use in professional studio environments. The versatility of the SFH-30 makes it suitable for live action, stills, and time-lapse applications.

You can connect your SFH-30 to any MRMC controller, such as a PC running Flair Motion Control Software or one of the MSA-based controllers such the Large Flat Panel (LFP), MSA-20 Handwheels, Joystick Controller, or Mini MSA.

Setting up the hardware

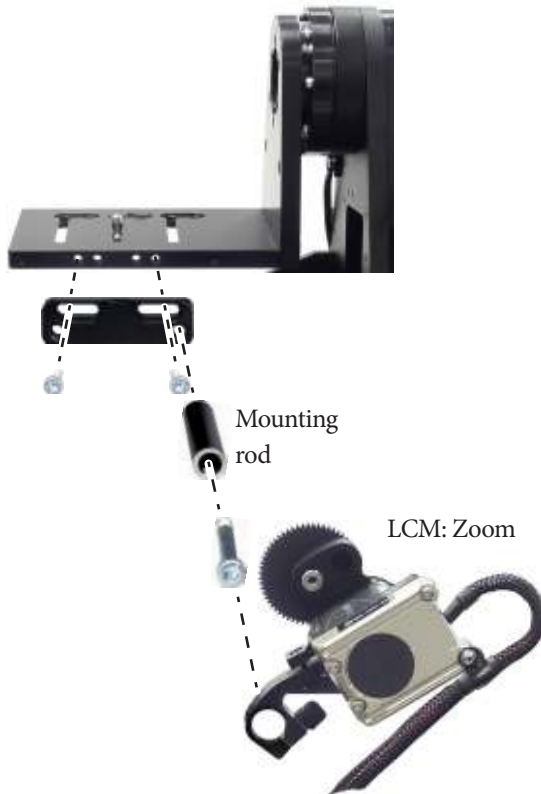
1. Mount the SFH-30 head onto your choice of support, such as a heavy-duty tripod or Dual Monorail. The head can be over-slung (sitting on a tripod or platform) or under-slung (hanging from its mount).



If you are mounting the head on a platform that has a key (such as a Dual Monorail carriage), make sure you line up the key on the platform with the slot in the head.

Further details about mounting specifications are described in Appendix 3 *Specifications*.

2. If you are using an external Lens Control Motor (LCM) mounted on the head, bolt the mounting rod onto the head, then mount the LCM onto the rod in approximately the correct position. You can fine-tune the position later.



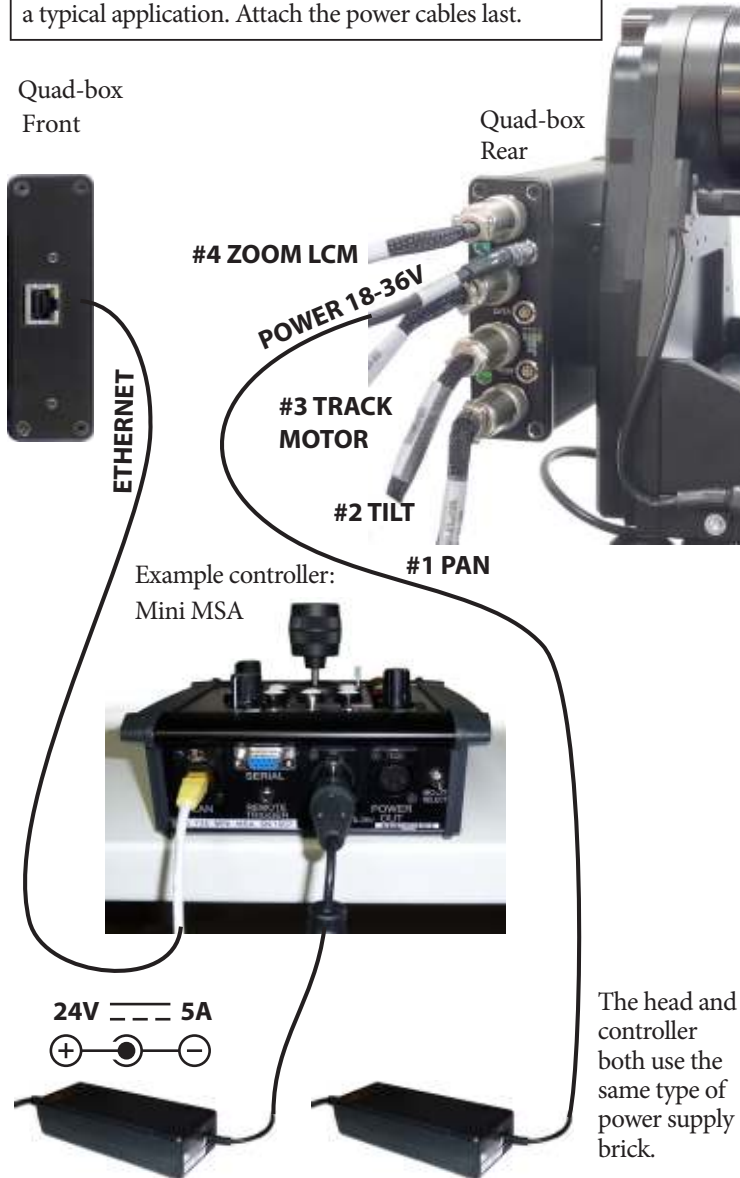
3. Place the camera on the platform, move the camera forward or backward to balance the platform in Tilt, then insert the camera mounting bolt under the platform and into the bottom of the camera housing and tighten firmly.



4. If you are using a head-mounted Lens Control Motor (LCM), adjust its position on the rod so that the LCM gear meshes firmly with the lens gear.

Connecting the cables

Connectors **#1-#4** on the Quad-box are identical and can be used for any stepper motors. The diagram shows a typical application. Attach the power cables last.



The controller can be any MRMC controller such as a PC running Flair Motion Control Software or one of the MSA-based controllers such the Large Flat Panel (LFP), MSA-20 Handwheels, Joystick Controller, or Mini MSA.

Hint

If you use a controller that has a **POWER OUT** socket, you should **not** use this socket to power the head. If you do so then powering up the controller will simultaneously power up the head, and in this case powering up two Ethernet devices at the same time on the same network can cause communication problems between them.

If you have mounted the SFH-30 on a Dual Monorail, tidy the cables by tying them to the cable arm, including the trailing Ethernet and Power cables that go to the controller, so they don't catch on the track or track motor:



Your first session

Instructions for using the SFH-30 head with a specific controller, or with Flair Motion Control Software running on a PC, are beyond the scope of this manual. The first time you use the head you typically need to perform the steps given below. Refer to the manual that came with your controller or software for details.

1. Attach the power cables to the head and controller.

There is no power switch on the SFH-30 head; the power is on whenever the 24-volt power supply is attached and live. After you have attached the power cable, make sure the power indicator LED on the head lights up.



Hint

It is a good idea to attach the power cables last, after all the other cables are in place.

It is also recommended that you power up the controller last, after powering up the head if you are using Ethernet to connect the head to the controller, as powering up two devices simultaneously on the same Ethernet network can cause communication problems.

Similarly, to turn off the head you simply remove the power cable. All MRMC controllers and heads have robust electronics that are designed to withstand the rigours of connection and disconnection to live power cables.

2. Load the head.

The head does not retain any operating system when it is switched off, so when you turn on the head you must load the head operating system from the attached controller or PC.

For example to load the head from an MSA-based controller from MRMC (such as the LFP, MSA-20 Handwheels, Joystick Controller, or Mini MSA) you press the **SELECT** knob on the controller when prompted to do so. Different head models and controller-head connection methods use different operating systems, so be sure that the operating system that you load from your controller is the

correct one for your particular SFH-30 head model and connection method.

3. Set the control directions.

In your controller or software you need to specify the directions of the focus, zoom and joystick/handwheel controls for your particular head, lens gearing attachments, and preference. For example, some people prefer the camera to point upward when the joystick is pulled back, while others prefer the opposite logic whereby pushing forward (“up”) on the joystick targets the camera upward in the scene.

For example to set the control directions on an LFP controller you use the menu option `SET DIRECTION`. On the MSA-20 Handwheels, Joystick Controller, or Mini MSA you can use the same menu option or use the **FWD** and **REV** hardware switches.

4. Zero the axes.

At the beginning of each session, after loading the head, you need to **zero the axes**. This defines a base position at which all head positions and lens settings are set to zero (0) in the controller or software. All limits, lens controls, preset positions, and moves that are stored in the controller or software are measured relative to this base position. The zero points themselves are not stored in the head or lens when the power is off, so you need to define them at the start of each session, by zeroing the axes. Controllers usually offer two different ways to zero the axes: an **automatic** method and a **manual** method:

- In the **automatic** method (sometimes called **homing**), the controller physically moves the axes to the home positions that are built into the hardware (if your head has the optional homing facility) and then assigns these positions as the zero points for the axes. For example to automatically zero the axes with an MSA-based controller (such as the LFP, MSA-20 Handwheels, Joystick Controller, or Mini MSA) you can go into film mode and use the menu option `HOME AXES > ALL AXES`.
- In the **manual** method (sometimes called **direct zeroing**) you use the controls to point the camera head in the direction that you want to use as the zero position for the head axes and then manually set the current axes positions as the zero points. For

example to directly set the current axes positions as the zero points on an MSA-based controller you use the menu option `DIRECT ZERO ALL`.

Hints

If you plan on having several manually zeroed sessions at the same site then you should pick an object in the camera's field of view that you can use as the zero position for the head for every session. The object should be easily identifiable, stationary, and repeatable, such as the corner of a ceiling.

To zero the axes with an external Zoom Lens Control Motor attached to the Quad-box, you first set the **zoom to wide-angle** (zoomed out all the way). You then use the controller to zero all the axes — either automatically or manually.

If you are using the head in an **underslung** configuration it is recommended that you use the **manual** method for zeroing the axes. Depending on the controller or software settings, the automatic method might pan or tilt the camera into a home orientation that is 180° from your working target orientation, which can be potentially awkward or risky for the attached equipment.

5. Set the limits.

In order to prevent damage to cables and other equipment, you can set limits to the range of physical travel of the head movement and lens controls.

For example to set the limits on an MSA-based controller (such as the LFP, MSA-20 Handwheels, Joystick Controller, or Mini MSA) you use the menu option `SET SOFT LIMITS`.

Subsequent sessions

After you have initially set up the system for your particular camera lens and preferences, subsequent sessions take less time to set up, especially if you have not disconnected control cables or moved sites. For subsequent sessions at the same site you typically need to do the following at the start of every session.

1. Attach the power cables to the head and controller.
2. Load the head.
3. Zero the axes.

If you have moved sites you will need to connect the control cables before the power cables, and then set new limits after you have zeroed the axes.

Appendix 1 Troubleshooting

Typical symptoms, causes, and actions

Symptoms or message on the controller	Cause and/or action
HEAD DID NOT LOAD	The controller failed to load the operating system into the head.
HEAD NOT LOADED LOAD FAIL	Check that all cables are connected, and all devices have power.
FAILED TO LOAD HEAD	If you have connected more than one head, connected the MRMC system to another local network, or moved the controller and head between networks, check that correct LAN addresses have been entered in the controller. See <i>Working with Local Area Networks</i> on page 12.
FAILED TO INITIALIZE ETHERNET	Check the order in which the devices are powering up. If you are using an Ethernet connection to the head, avoid powering the head from the power output socket on the controller in order to avoid powering up the two devices simultaneously (which can cause problems on small isolated Ethernet networks). Use an independent power source for each, and power up the head first. If you are using a Serial connection to the head, power up the controller first.
Controls move in the wrong direction	Change the working direction of the controls to your preference (page 8).
Limits are being ignored or causing the head to oscillate when reached.	The axes have not been zeroed. You must do this at the beginning of each session just after you load the head (page 8).

Working with Local Area Networks

If you are using an Ethernet connection between the controller and the head, they communicate with each other through an Ethernet Local Area Network (LAN). The controller and head are **devices** on the network. Under certain circumstances you might need to change the LAN settings of the devices so that the devices not only work together, but do so when connected to another network. For example:

- If you install the controller as part of a multi-component system.
- If you connect your MRMC equipment to a local network.
- If you move the equipment between networks.
- If you have customised the LAN settings in a head for one of the above reasons and then sent the head back to MRMC for servicing. The service might change the LAN settings back to the factory defaults, and you will need to customise them again when you get the head back.

Introduction to LAN addresses

Each device on an Ethernet network has a suite of three addresses:

- Internet Protocol (IP) address
- Subnet (SN) address
- Gateway (GW) address

Together, these addresses indicate the device's identity and location on the network. Each address is usually written as a group of four numbers separated by periods. The factory default values used in MRMC equipment are shown in the next table:

	MRMC Controller	Head
IP address	192.168.1(235)	192.168.1(236)
SN address	255.255.255.0	255.255.255.0
GW address	192.168.1.1	192.168.1.1

On a given local network, the last group of numbers in the IP address must be unique for each device. All other numbers and addresses must be identical.

The LAN addresses of the controller and head are **static**. That is, they will stay the same unless you explicitly change them.

Hint

Most local networks use the SN and GW addresses shown in the above table, so under ordinary circumstances you will only need to be concerned with **IP addresses**. The rest of this section therefore concentrates on **IP addresses**, but you might also need to inspect or change the SN and GW addresses, depending on the structure of the network that you are using to access the head.

Although a simple controller setup has only **two** devices on the network (the controller and the head) there are potentially **three** IP addresses involved:

1. **The IP address of the controller itself.** You don't ordinarily need to change this unless you are connecting it to a local network that requires different settings.
2. **The IP address that the controller looks for** when it tries to find and load the head on the network. This must match the next IP address...
3. **The actual IP address of the head.** This is usually the IP address shown in the above table unless it has been changed, or unless you specified a different address when you ordered the head. In any case, the factory-set IP address of a head is ordinarily printed on a sticker on the head.

You can usually inspect and change the first two IP address settings directly on the controller, by accessing the LAN settings on the controller. Once you have established a connection between the controller and the head, you might be able to change the actual IP address of the head from the controller. For details see the documentation that came with your controller.

To find out the IP address of a head with an unknown history you must connect it to a PC that has Flair Motion Control Software installed. Details are in *Managing LAN addresses with Flair* on page 14.

Managing LAN addresses with Flair

The factory-set IP address of a head is printed on a sticker on the head.

If the IP address of a head has been changed to an unknown value so you can't load the head from the controller, you can find out the head's IP address by connecting the head to a Windows PC that has Flair Motion Control Software installed on it, and use Flair to interrogate the head on the network. You can also use Flair to change the IP, SN, and GW addresses of the head if necessary.

1. Find a PC that has Flair Motion Control Software installed on it, or install Flair on your own PC.
2. Attach the head to the PC with an Ethernet cable. You can use the same Ethernet cable that was connecting the head to the controller.
3. Make sure the head has power, by checking that the power indicator LED on the head lights up.
4. Start Flair on the PC.
5. If you get any error messages, click on **OK** to close them.
6. When you get a message about network failure, click on the **Network Setup** button in the message:

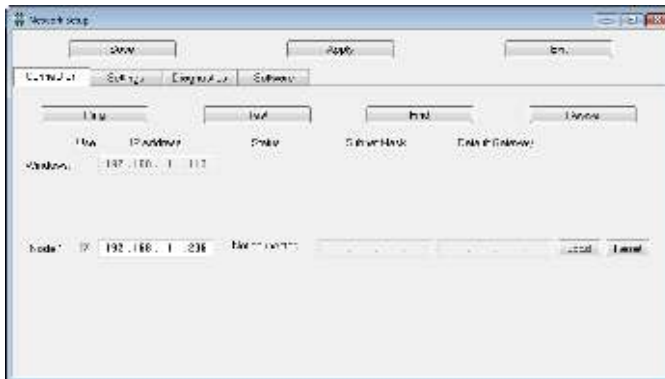


Power
LED



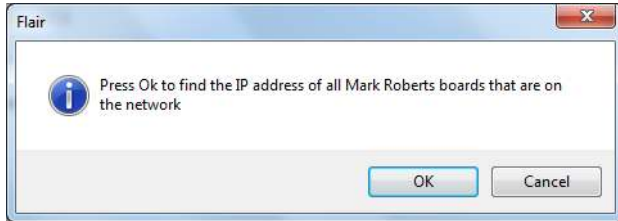
or...

If the Flair installation already has a valid head connection on a network then you might not get the network failure message. In this case, start the Network Setup facility manually by choosing the **Setups > Network Setup** menu option in Flair.

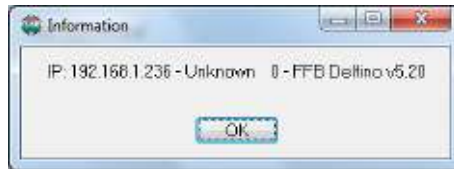


The Network Setup window, Connection tab, lists the Nodes (head connections) that Flair is looking for, as defined in the NetworkDirect.ini file. Any changes that you make and **Save** in the Network Setup window are saved in the NetworkDirect.ini file. You can also edit this file by using the menu option **Help > View Network .ini File**. If Flair cannot find the head on the network at the IP address shown then the node's status is **Not connected**.

7. In the Network Setup window click on **Find**, then on **OK** in the pop-up to confirm:



8. An Information pop-up displays information about the heads that Flair has found on the network:



Make a note of the head's IP address that is displayed in the pop-up; for example 192.168.1.236.

9. If you want to use the head with Flair or change any of the head's LAN addresses, follow the substeps below:

- 9.1 Enter the head's existing IP address (as shown in the Information pop-up) into the Network Setup window and click on **Save**.
- 9.2 Click on **Load** to reset and load the head.

Once Flair is connected to the head, any LAN address changes that you make and **Save** in the Network Setup window will also affect the LAN addresses stored in the head.

- 9.3 To change the IP address of the head, enter the new IP address into the Network Setup window now and click on **Save**.

The Status temporarily changes to **Not connected** as Flair changes the IP address in the head, then to **Connected** as Flair reconnects with the head at its new IP address.

- 9.4 To inspect or change the SN or GW address of the head, click on **Find** again. A pop-up shows the head's three current LAN addresses, and the **Subnet Mask** (SN) and **Default Gateway** (GW) fields in the Network Setup window become editable.

Enter the new SN and GW addresses that you want to use and click on **Save**.

10. Close the Network Setup window by clicking on **Exit**.
11. If you want to use a controller other than a Flair PC then you are now done with the PC:
 - 11.1 Close Flair by choosing the **File > Quit** menu option.
 - 11.2 Disconnect the Ethernet cable from the PC, and re-attach it to the controller, so the head and controller are now connected.
 - 11.3 Tell the controller which IP address to look for by following the procedures in the documentation that came with your controller.

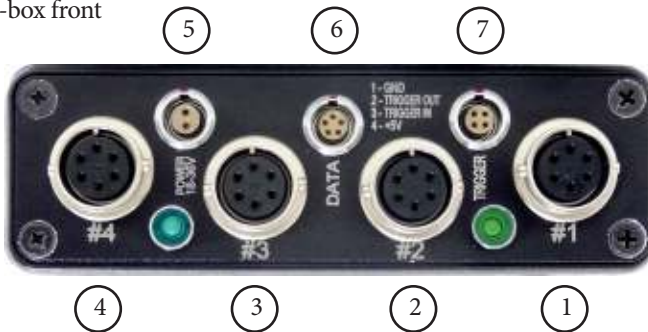
Appendix 2 SFH-30 Panel

Introduction to SFH-30 connections

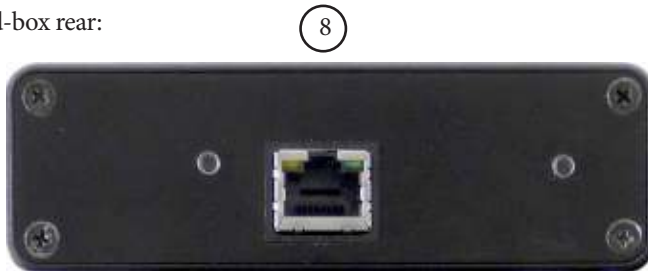
The SFH-30 uses a modular, replaceable interface box to manage the connections between the camera, head, and controller. Your SFH-30 is supplied with a **Quad-box**, which is an interface box for heads with **stepper** motors. See *Quad-box connector summary* on page 19.


Quad-box connector summary


Quad-box front



Quad-box rear:



- 1-4. **#1 - #4** identical connectors for any stepper motors, such as **PAN** and **TILT** in the head, track motors, and external Lens Control Motors. For pin-out information see *Stepper motor connector* on page 21.
5. **POWER 18-36V** connector, for power input for the head. When the power is on, the LED next to the **POWER** connector lights up. For pin-out information see *Power 18-36 Volts connector* on page 21.  Power LED
6. **DATA** connector. This is a Serial RS232 connector, for connection to a controller using a Serial RS232 connection (as an alternative to an Ethernet connection), and for updating the firmware in the Quad-box. For pin-out information see *Serial RS232 connector* on page 21.

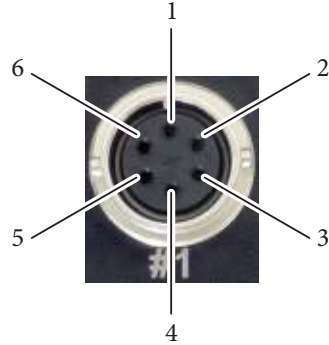
7. **TRIGGER** connector, for a bi-directional trigger signal between the head and camera. When the trigger is activated the LED next to the **TRIGGER** connector lights up. For pin-out information see *Trigger connector (trigger out and in)* on page 22.  Trigger LED
8. **ETHERNET** RJ45 connector for controlling the head using an Ethernet network connection. This Ethernet port is rated at 100 Mbits/sec but can operate at lower speeds of 10 Mbits/sec or less.

Quad-box connector pin-out information

Stepper motor connector

The Quad-box has four connectors for stepper motors, typically used for Pan and Tilt plus two for auxiliary devices such as a track motor or Lens Control Motor (LCM).

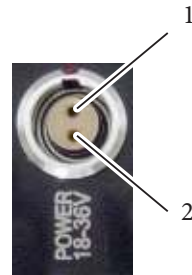
1. GND
2. 24V
3. 5V
4. Homing Datum
5. Step
6. Direction



Power 18-36 Volts connector

Two-pin DC input for powering the head. The head runs best on a 34-Volt power supply.

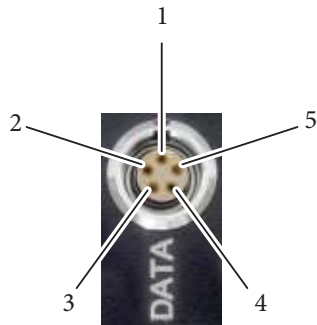
1. GND
2. +24V



Serial RS232 connector

This is a 5-pin Serial RS232 connector. For usage see page 19.

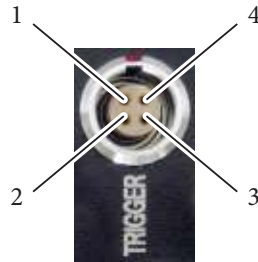
1. Boot select
2. Tx (out)
3. Rx (in)
4. 5V
5. GND



Trigger connector (trigger out and in)

Trigger connection with Trigger Out and Trigger In connections.

1. GND
2. Trigger Out
3. Trigger In/Out
4. +5V



Pin 3 can be trigger input or output depending on a jumper setting in the box which is set during manufacture. DSLR applications typically use two trigger outputs, on pins 2 and 3; one for shutter and one for auto-focus. Video applications typically use pin 2 for trigger output and pin 3 for trigger input.

Notes

Appendix 3 **Specifications**

Weight: 5 Kg

Power requirements: 18-36 Volts DC

Temperature range: 0-45 °C (32-113 °F)

Humidity tolerance: 0% to 85% relative humidity, non-condensing

Camera payload: 13 Kg

Maximum speed: 30°/sec to 100°/sec, depending on options

Maximum acceleration: 200°/sec²

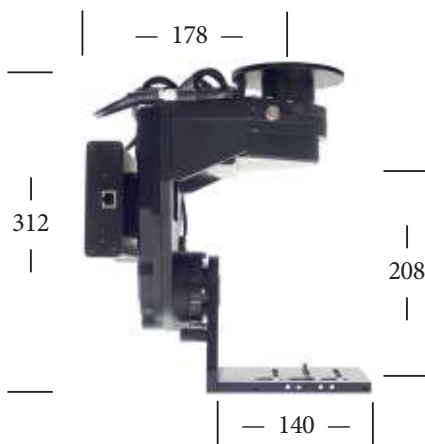
Angular resolution: Better than 0.001°

Dimensions are shown below. All measurements are in mm.

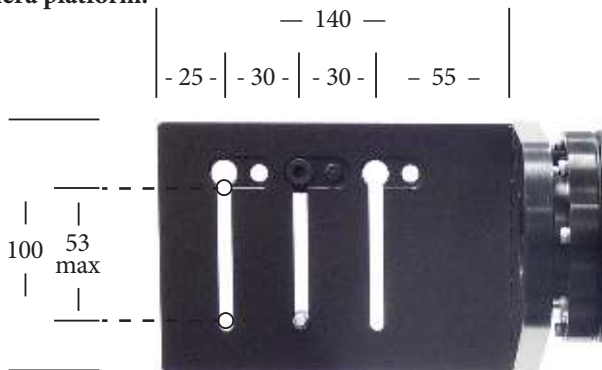
Overslung:



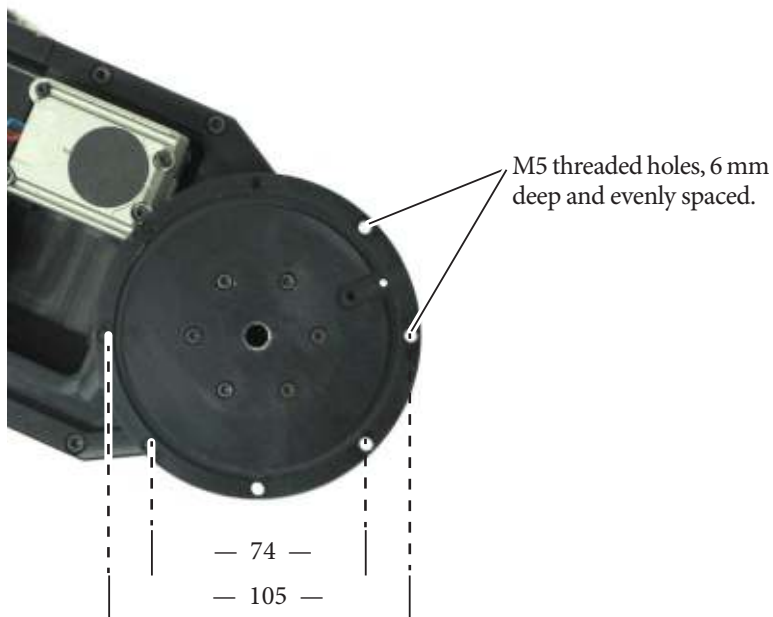
Underslung:



Camera platform:



Mounting holes in the SFH-30 base:

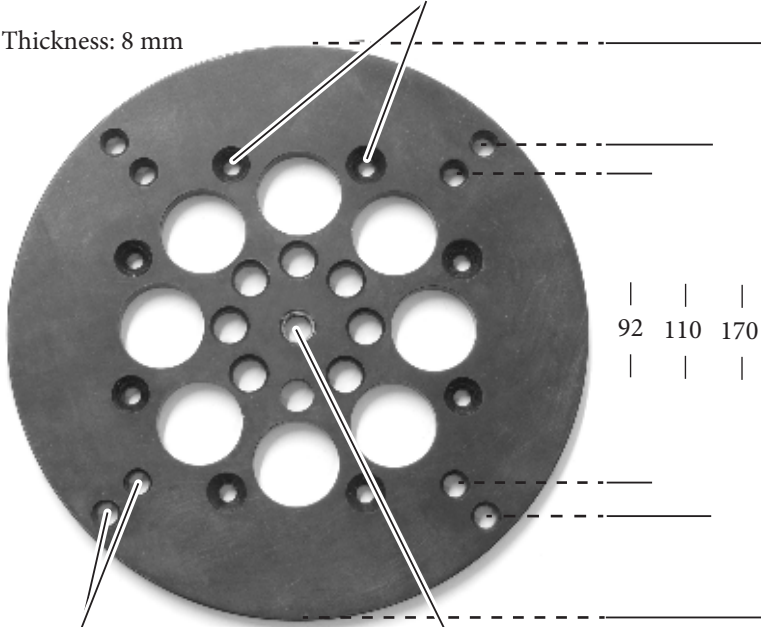


Optional mounting plate (large):

M5 unthreaded countersunk holes for attachment to the bottom of the head, using M5 CSK (countersunk) bolts 12 mm long.



Thickness: 8 mm



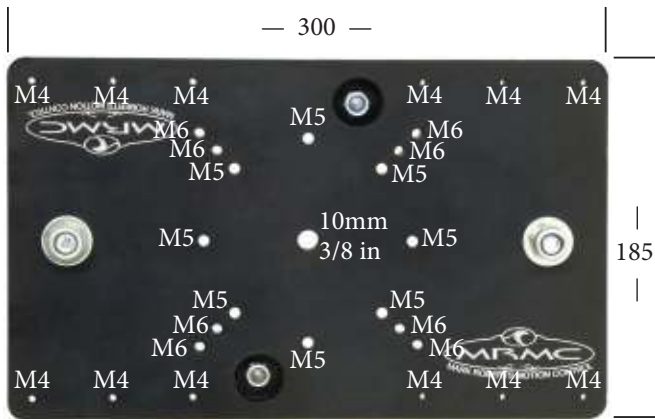
| | |
92 110 170
| | |

M6 unthreaded holes around the edge for mounting the plate onto any solid surface.

3/8-16 centre hole threaded for a standard heavy-duty tripod mounting bolt. All other holes in the plate are unthreaded.

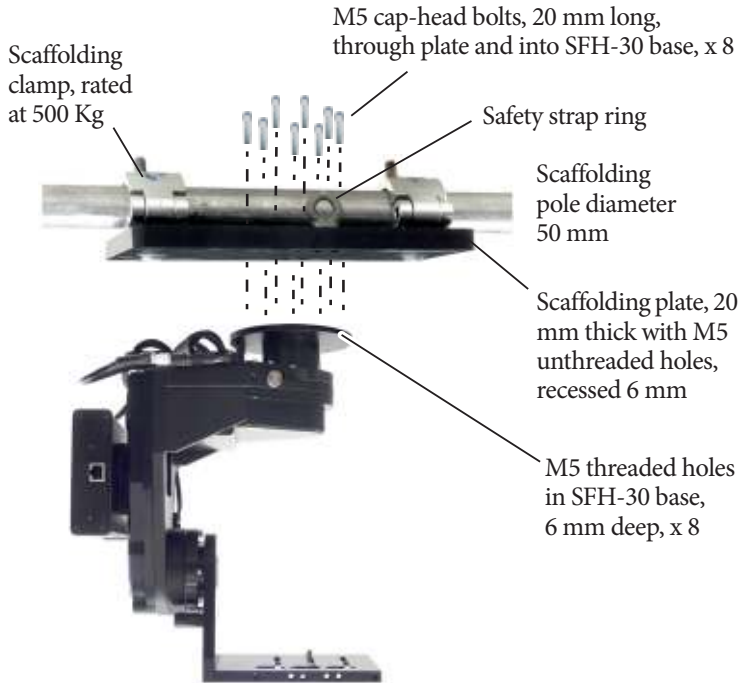
Mark Roberts Motion Control can also make custom mounting plates to your specifications. Use the details given at the front of this manual to contact customer support.

Optional scaffolding plate:



Centre hole and M5 holes are unthreaded.
All M4 and M6 holes are threaded.

SFH-30 underslung from optional scaffolding plate



Bolt the scaffolding plate onto the head first, then clamp the plate onto the scaffolding pole and attach the safety strap to the rings.

Notes

Notes



Mark Roberts Motion Control Ltd.

Unit 3, South East Studios, Blindley Heath, Surrey RH7 6JP

United Kingdom

Telephone: +44 (0) 1342 838000

info@mrmoco.com

www.mrmoco.com

