



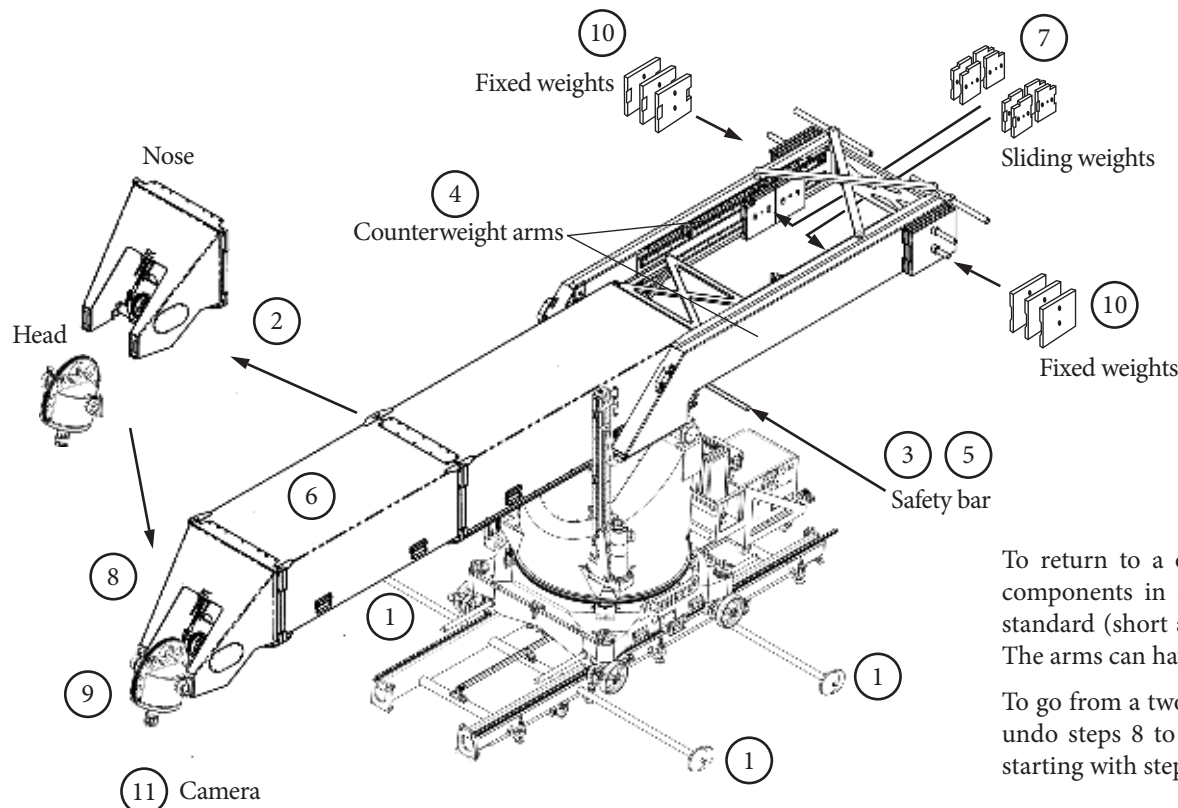
MARK ROBERTS MOTION CONTROL

Mark Roberts Motion Control Ltd.
Unit 3, South East Studios, Blindley Heath, Surrey RH7 6JP
United Kingdom
Telephone: +44 (0) 1342 838000
info@mrmoco.com
www.mrmoco.com

MILO LONG ARM

ASSEMBLY GUIDE

It is important to assemble and disassemble the components of the Milo Long Arm in the correct sequence, to prevent the rig getting out of balance and toppling over.

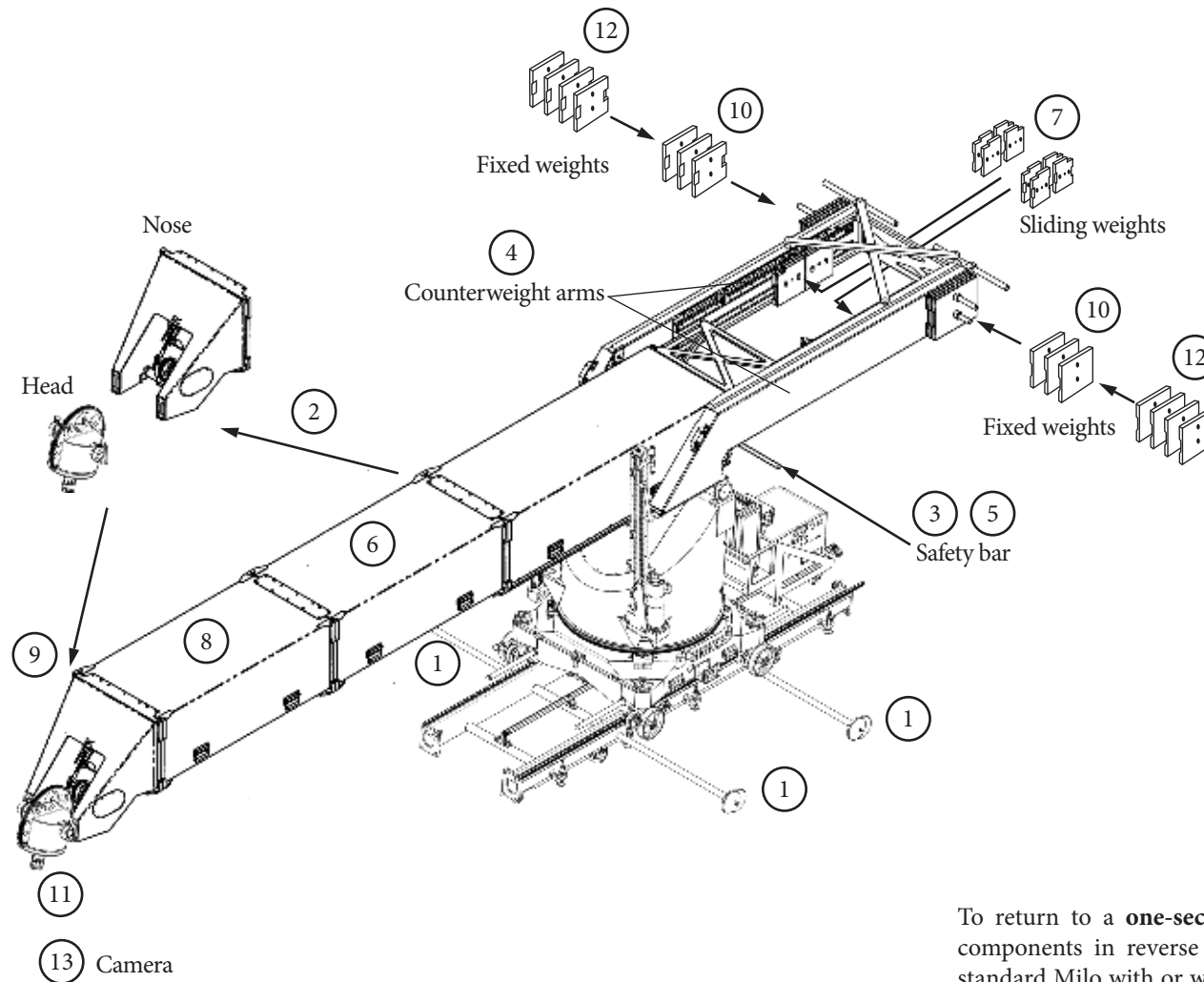


Building a two-section arm

1. Point the arm down the track as much as possible and insert the outriggers into the track, on both sides of the track.
2. Remove the head and nose from the existing one-section arm.
3. Insert the safety bar, which helps support the counterweight arms if they should accidentally fall during assembly.
4. Add the counterweight arms, without any weights.
5. When the counterweight arms are securely bolted into place you can remove the safety bar.
6. Put the cables through the arm extension section and attach it to the rig.
7. Add the eight sliding weights to the counterweight arms (four on each arm).
8. Add the nose.
9. Add the head.
10. Add six external fixed weights to the counterweight arms (three on each arm).
11. Add the camera.

To return to a **one-section** arm, point the arm down the track and remove the components in reverse order, remembering to use the safety bar. You can use a standard (short arm) Milo with or without the counterweight arms and outriggers. The arms can have the sliding weights but not the fixed weights on them.

To go from a two-section to a **three-section** arm, point the arm down the track and undo steps 8 to 11 in reverse order, then follow the three-section arm procedure starting with step 8 overleaf.



Building a three-section arm

1. Point the arm down the track as much as possible and insert the outriggers into the track, on both sides of the track.
 2. Remove the head and nose from the existing one-section arm.
 3. Insert the safety bar, which helps support the counterweight arms if they should accidentally fall during assembly.
 4. Add the counterweight arms, without any weights.
 5. When the counterweight arms are securely bolted into place you can remove the safety bar.
 6. Put the cables through the first arm extension section and attach it to the rig.
 7. Add the eight sliding weights to the counterweight arms (four on each arm).
-
8. Put the cables through the second arm extension section and attach it to the rig.
 9. Add the nose.
 10. Add six external fixed weights to the counterweight arms (three on each side).
 11. Add the head.
 12. Add eight more external fixed weights to the counterweight arms (four on each side).
 13. Add the camera.

To return to a **one-section** arm, point the arm down the track and remove the components in reverse order, remembering to use the safety bar. You can use a standard Milo with or without the counterweight arms and outriggers. The arms can have the sliding weights but not the fixed weights on them.

To go from a three-section to a **two-section** arm, point the arm down the track and undo steps 8 to 13 in reverse order, then follow the two-section arm procedure starting with step 8 overleaf.