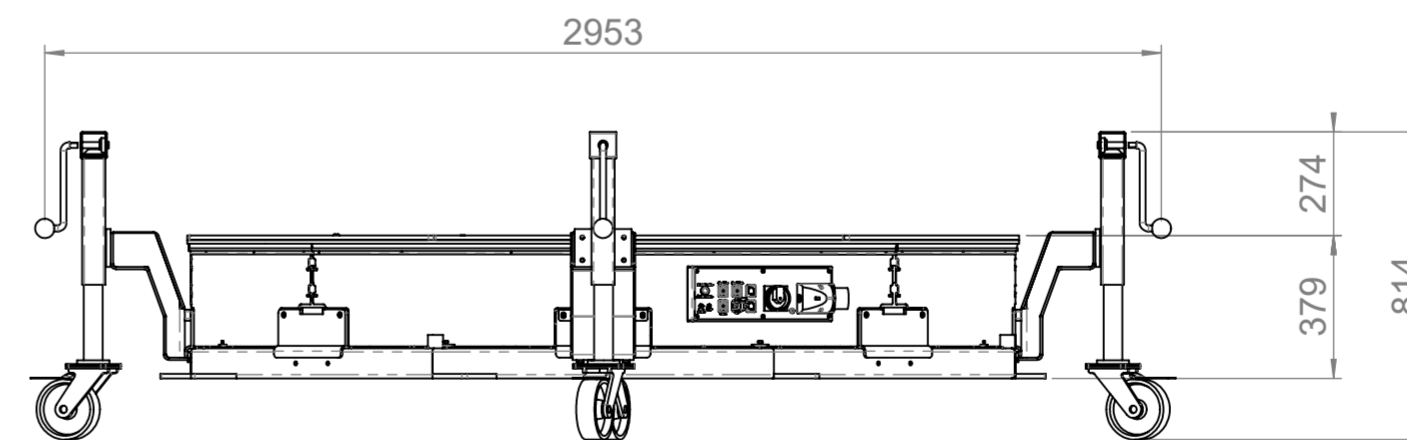
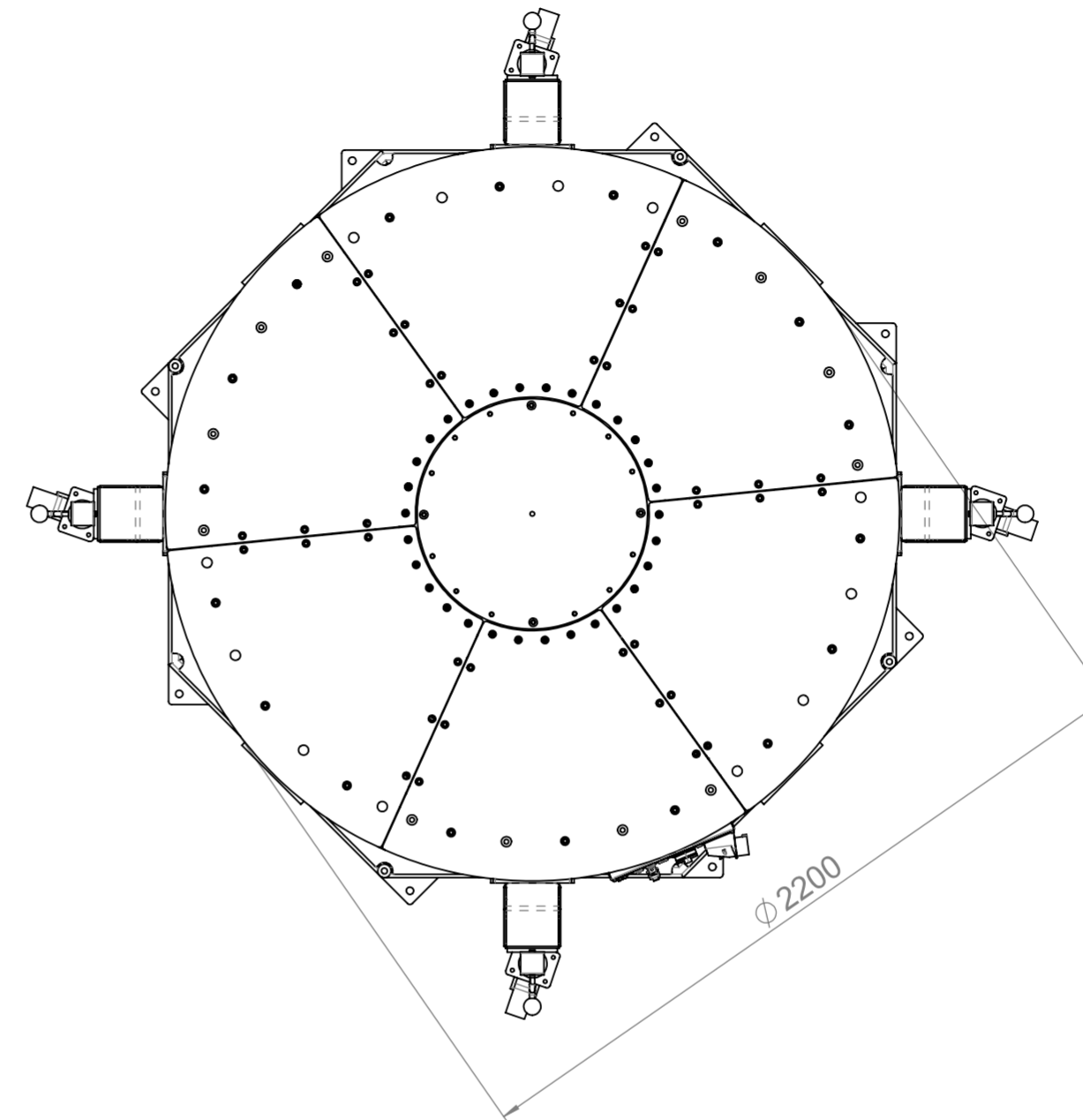


NEW ISSUE	OLD ISSUE	DATE	CO NUMBER	CHANGED BY	REMARKS
2		16-Sep-2019	CHO-000797	P.Sorrell	First Build Mechanical Issues Large Turntable
-		-	--	-	-
-		-	-	-	-



MARK ROBERTS MOTION CONTROL

TEL. 01342 838 005

FAX. 01342 838 001

All dimensions in mm unless otherwise stated

TOLERANCES				NOTES	DRG No: MT-04-MDL-02					Issue:2
LINEAR	X	X.X	X.XX	Break All Sharp Edges & Corners	Description: Turntable 3 tonne Capacity					
0 - 3	+/- 0.1	+/- 0.05	+/- 0.025	Surface Texture: 3.2um	Material: -	Finish: -		Stock Size: -		3rd. Angle
>3 - 6	+/- 0.2	+/- 0.1	+/- 0.05	Tapped Holes: Remove First Thread	Supplier: -	Supplier Part No: -				
>6 - 30	+/- 0.3	+/- 0.15	+/- 0.075	Shaft Ø Tolerance: h11	Scale: 1:20	Size: A2	Sheet 2 of 2	Drawn By: R. Carroll	Date Created: 24-May-2019	
>30-120	+/- 0.5	+/- 0.2	+/- 0.1	Hole Ø Tolerance: H11					Available File Types: DXF and STEP	
>120-315	+/- 0.6	+/- 0.3	+/- 0.15							
>315-1000	+/- 1.0	+/- 0.5	+/- 0.2							
ANGULAR	+/- 3°	+/- 1°	+/- 0.5°							