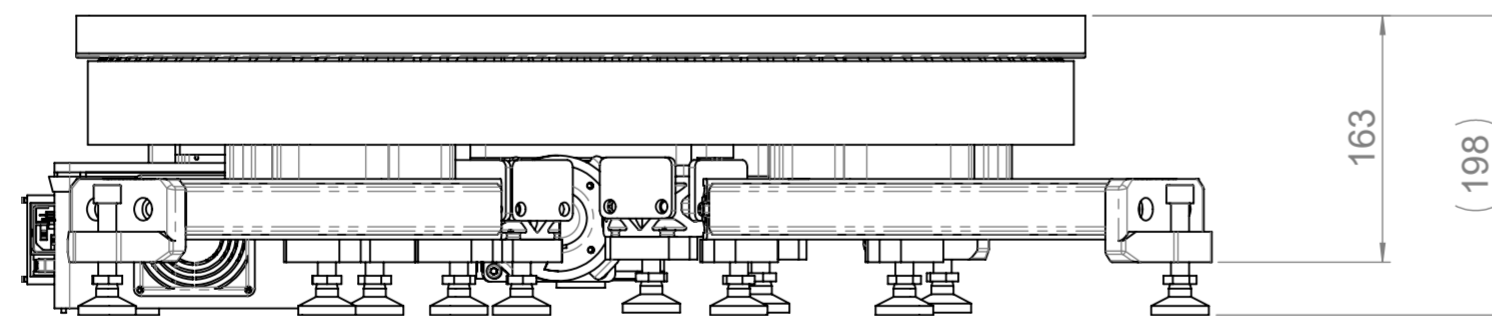
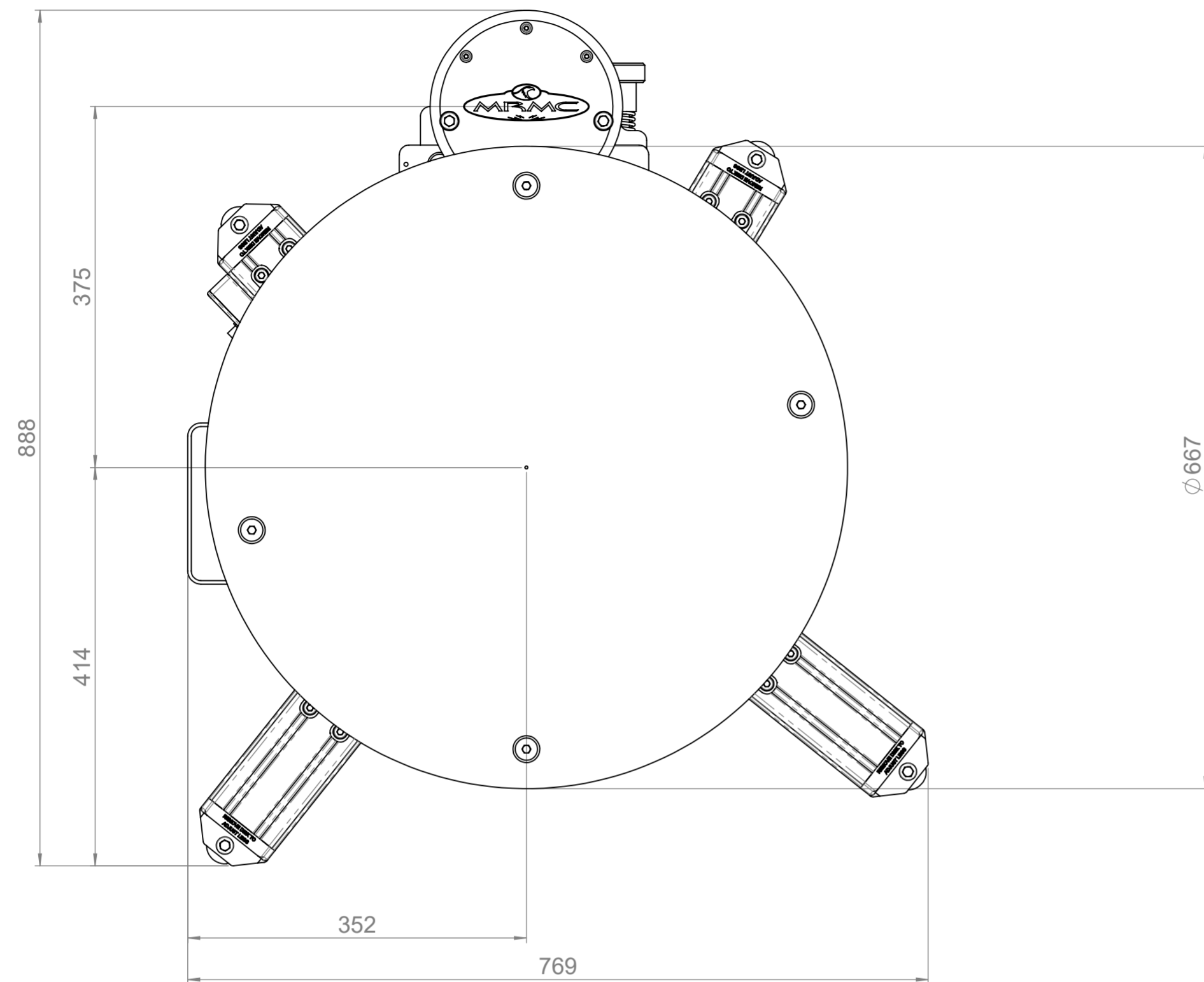


NEW ISSUE	OLD ISSUE	DATE	CO NUMBER	CHANGED BY	REMARKS
2		31-May-2019	CHO-000773	Jon H.	{Large TurnTable} Drawing required for box
-		-	--	-	-
-		-	-	-	-



MARK ROBERTS MOTION CONTROL

TEL. 01342 838 005

FAX. 01342 838 001

All dimensions in mm unless otherwise stated

TOLERANCES				NOTES
LINEAR	X	X.X	X.XX	
0 - 3	+/- 0.1	+/- 0.05	+/- 0.025	Break All Sharp Edges & Corners Surface Texture: 3.2um Tapped Holes: Remove First Thread Shaft Ø Tolerance: h11 Hole Ø Tolerance: H11
>3 - 6	+/- 0.2	+/- 0.1	+/- 0.05	
>6 - 30	+/- 0.3	+/- 0.15	+/- 0.075	
>30-120	+/- 0.5	+/- 0.2	+/- 0.1	
>120-315	+/- 0.6	+/- 0.3	+/- 0.15	
>315-1000	+/- 1.0	+/- 0.5	+/- 0.2	
ANGULAR	+/- 3°	+/- 1°	+/- 0.5°	

DRG No: **MM-02-MDL-04**

Description: Rotate Ring MTK-60 Motor SGB 25 36:1 & MOD 6 20:105 Gear Reduction Ratio 189:1

Material: -

Finish: -

Supplier:

Supplier Part No:

Scale: 1:5

Size: A2

Sheet 2 of 2

Drawn By: Jon H.

Date Created: 18-Apr-2019

Stock Size:

Available File Types DXF and STEP

Issue:2

3rd. Angle

