

# ROBOTIC POD



---

## KEY FEATURES

---

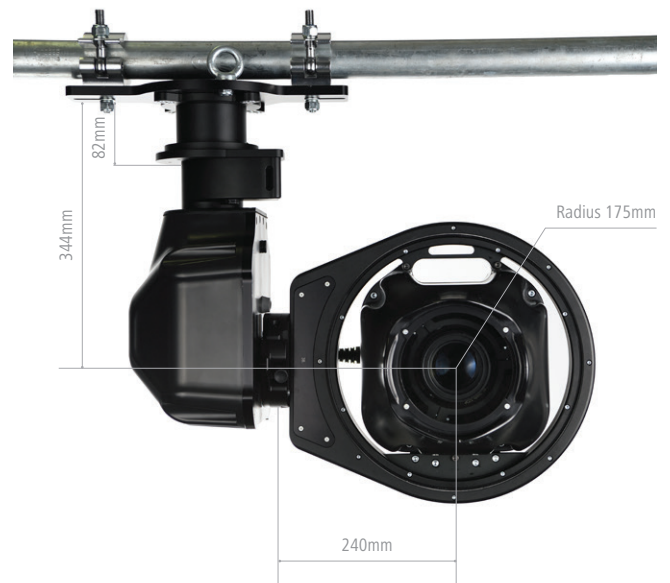
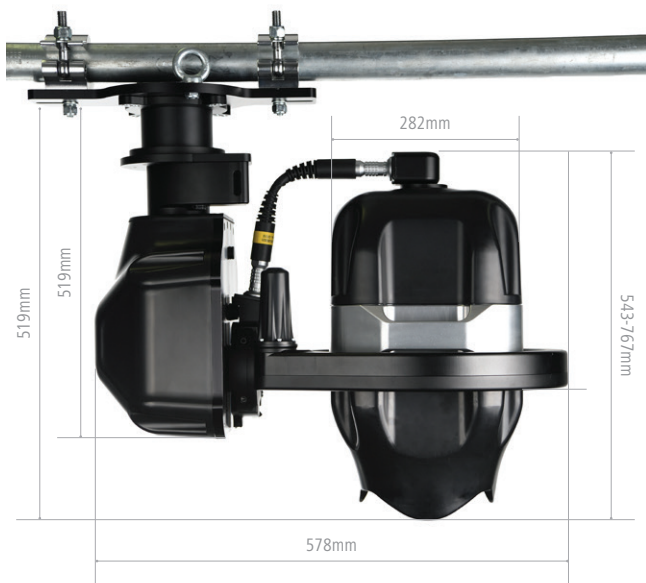
- ▶ Weatherproof
  - ▶ Permanent installation
  - ▶ Video and stills
  - ▶ Full camera control
  - ▶ Nikon D5
-

## TECHNICAL INFORMATION

<b>Weight</b>	<p>Robotic Pod Between 7-10kg depending upon the unit</p> <ul style="list-style-type: none"> <li>▶ 24-120mm Pod: 8.4kg</li> <li>▶ 24-70mm Pod: 8.5kg</li> <li>▶ 70-200mm Pod: 9.2kg</li> <li>▶ 80-400mm Pod: 9.7kg</li> <li>▶ 200-500mm Pod: 10.5kg</li> </ul> <p>Arm 11.8kg Roll Arm 4.71kg Connection cable (umbilical)</p> <ul style="list-style-type: none"> <li>▶ 5m: 1.10kg 10m: 2.10kg 15m: 3.10kg 20m: 4.10kg 30m: 6.10kg</li> </ul> <p>Connection cable (short)</p> <ul style="list-style-type: none"> <li>▶ 320mm: 0.30kg</li> </ul> <p>Breakout Box 4.00kg</p>
<b>Connections via power supply unit</b>	<ul style="list-style-type: none"> <li>▶ RJ45 Gigabit Ethernet (1000 BASE-T) (IEEE 802.3ab)</li> <li>▶ 3G HD SDI Max output 1080p 50/60 FPS</li> <li>▶ 24 VDC 9.2 A</li> </ul>
<b>Power requirements</b>	100 – 240 VAC 16A
<b>Temperature range</b>	0 – 45 Degrees Celcius
<b>Humidity tolerance</b>	0% to 85% relative humidity, non-condensing (built in fan heater)
<b>Axes speed</b>	<ul style="list-style-type: none"> <li>▶ Pan: 0.001° – 180° per second</li> <li>▶ Tilt: 0.001° – 180° per second</li> <li>▶ Roll: 0.001° – 90° per second</li> <li>▶ Zoom: 0.001° – 60° per second</li> <li>▶ Focus: 0.001° – 60° per second</li> </ul>
<b>Accuracy of playback (angular resolution)</b>	0.3 arc-min
<b>Still image (Nikon D5)</b>	<ul style="list-style-type: none"> <li>▶ Image sensor: FX, CMOS, 35.9mm x 23.9mm</li> <li>▶ Total pixels: 21.33 million (20.8 million effective pixels)</li> <li>▶ Frame advance rate: 12 fps, up to 10 fps (CL); 10–12 fps, or 14 fps with mirror up (CH); or 3 fps (quiet continuous mode)</li> <li>▶ ISO sensitivity: ISO 100 to 102400, with a Hi 5 setting of EV (ISO 3280000 equivalent) above ISO 102400</li> </ul>
<b>Video</b>	<p>Frame size (pixels) and frame rate:</p> <ul style="list-style-type: none"> <li>▶ 3840 x 2160 (4K UHD): 30p (progressive), 25p, 24p; (internal recording)</li> <li>▶ 1920 x 1080: 60p, 50p, 30p, 25p, 24p; 1920 x 1080 crop: 60p, 50p, 30p, 25p, 24p; 1280 x 720: 60p, 50p</li> <li>▶ Actual frame rates for 60p, 50p, 30p, 25p, and 24p are 59.94, 50, 29.97, 25, and 23.976 fps via SDI</li> </ul>
<b>Multi Head Controller software MHC</b>	Available as a 32 bit or 64 bit installer and will need a licence key to activate
<b>Computer requirements</b>	<p>Minimum requirements:</p> <ul style="list-style-type: none"> <li>▶ Windows 10</li> <li>▶ Intel i3 CPU (Intel i5 recommended)</li> <li>▶ 4GB of RAM (8GB recommended)</li> <li>▶ Ethernet adapter</li> <li>▶ A graphics card with support for OpenGL v4.3 or greater</li> </ul>

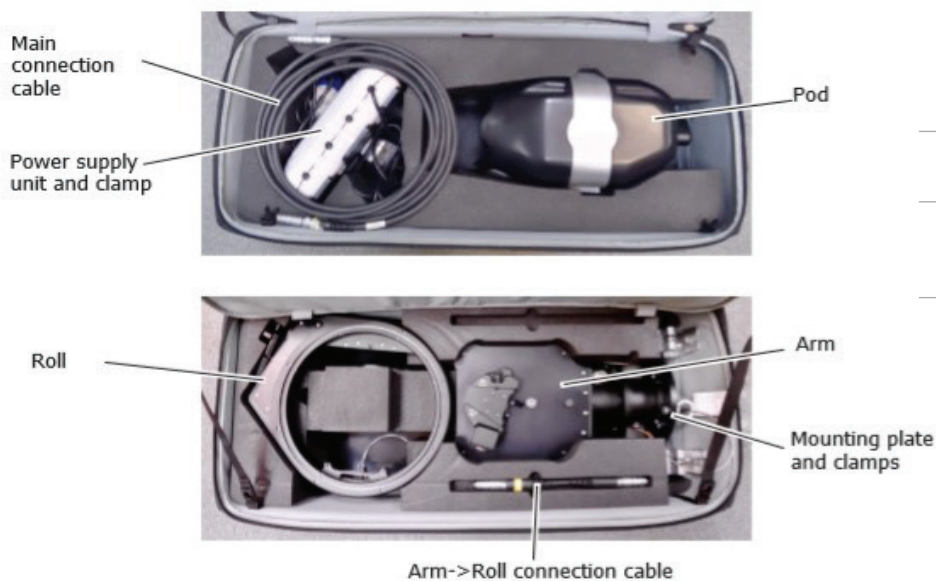
## SIZE

- ▶ Total height – 519-580mm (dependant on lens type)
- ▶ Total width – 578mm
- ▶ Operational space ~ 1.2m3



## PERIPHERALS AND ACCESORIES

### WHATS IN THE BOX?



### CABLES INCLUDED:

- ▶ Long umbilical cable
- ▶ Arm to roll/pod cable
- ▶ Mains cable
- ▶ Long ethernet cable

### TOOLS INCLUDED:

- ▶ 19mm ring spanner
- ▶ Allen key set

## POD LENS CONFIGURATIONS

