

BOLT™ X

CRANES & RIGS

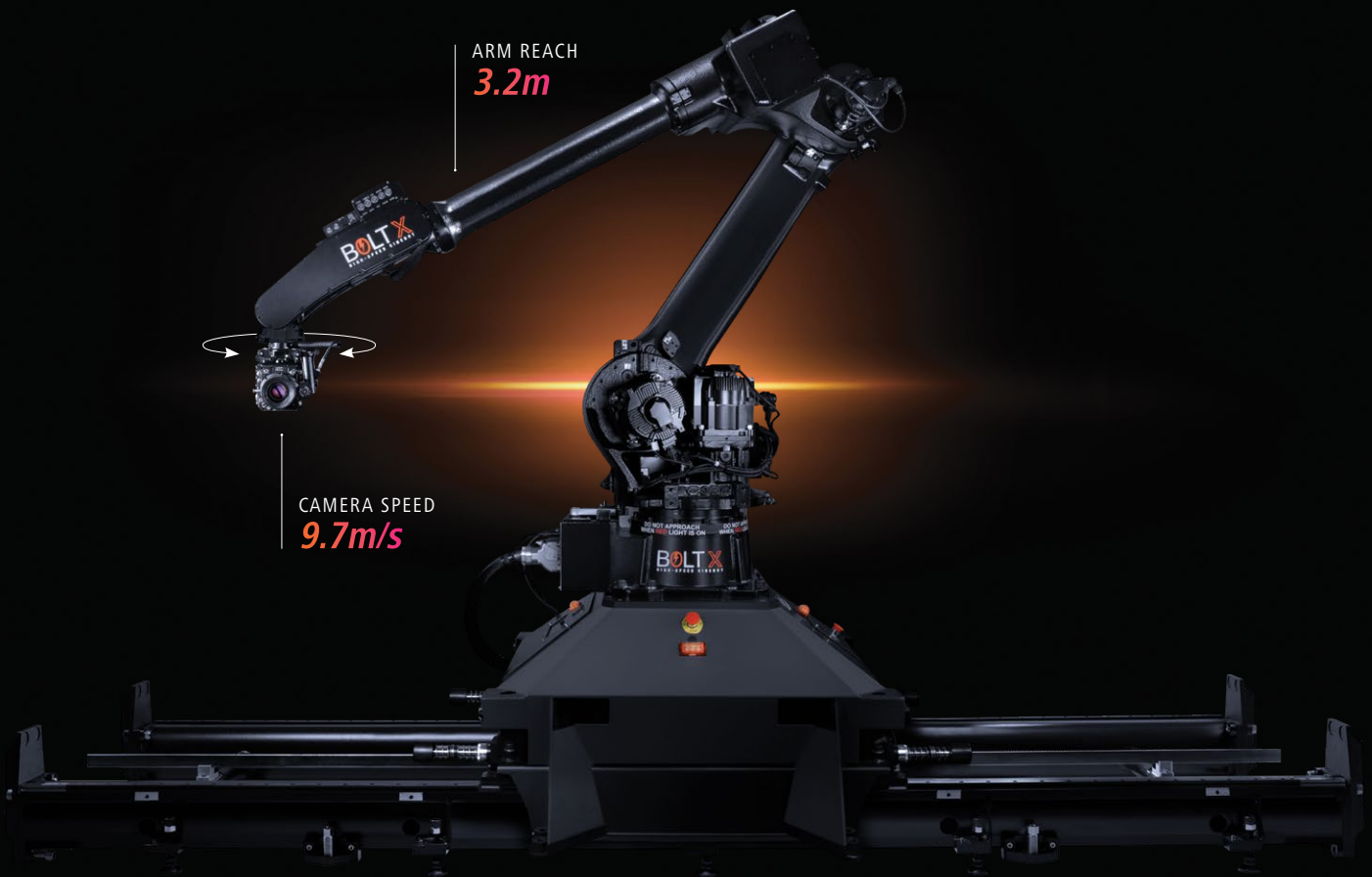
LONGEST ARM REACH OF OUR HIGH SPEED EQUIPMENT



PAYLOAD
CAPACITY (KG)



MAXIMUM
LENS HEIGHT (M)



ARM REACH
3.2m

CAMERA SPEED
9.7m/s

The latest edition to our high speed motion control family has the longest arm reach of our high speed equipment. With a reach of 3.2m, the Bolt X allows for greater flexibility in capturing the shots at high speed in the studio and at location settings.



A Nikon Company



MARK ROBERTS MOTION CONTROL

BOLT™ X SPECIFICATIONS



TURNTABLES

Synchronised motion with external triggers and model movers for extreme precision timing.



PORTABLE

Portable, lightweight robotic unit, designed to be set-up and ready for shooting in under an hour.



TIMECODE | LIGHTING

Trigger from timecode. Control DMX Lighting.



TIMELAPSE

Create incredible timelapse with dynamic movement and feel.



REPEATABLE

Every camera move under complete control – precisely repeatable.



TARGET TRACKING

Define location of your object in space, to simplify any complex move.



LENS CONTROL

High speed, precise control of zoom, iris & lens. Fastest & most powerful motors in the world.



MAYA

Take moves planned in Maya and feed them into the Bolt – or interface to augmented or virtual reality in real-time.

OPERATING ENVELOPE

Maximum Height	4.3m / 14'1"
Lowest Position	-1.3m / -4'2"
Maximum reach (from rotate centre)	3.2m / 10'6"

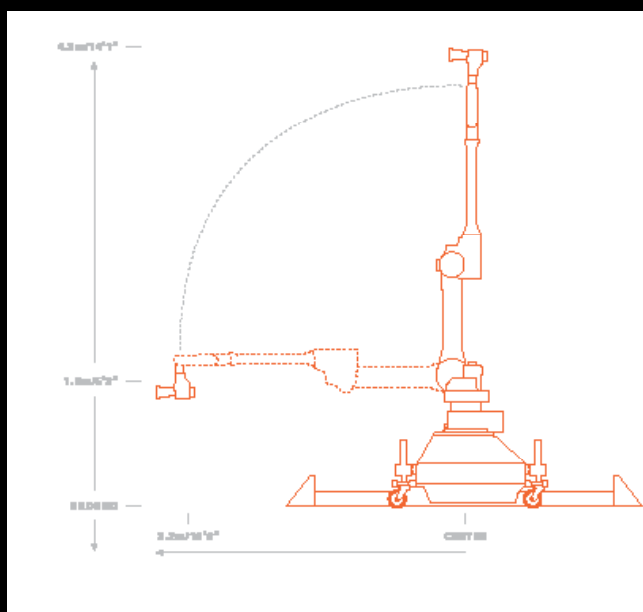
SHOOTING SPEEDS

Vertical	9.6m/s on arc of radius of 3.1m
Horizontal	9.7m/s on arc of radius of 3.1m

RIG PERFORMANCE

Track	Unlimited range of travel @ 4 m/s
Rotate	+/- 180° range of travel @ 180° /s
Lift	+135 to -90° range of travel @ 180° /s
Arm	+206° to -80° range of travel @ 180° /s
Pan	+/- 200° range of travel at 400° /s
Tilt	+/- 150° range of travel @ 430° /s
Roll	+/- 455° range of travel @ 630° /s

RIG DIMENSIONS



RIG WEIGHTS & PAYLOAD

Bolt X Rig (Robot Only)	560Kg / 1,235lbs
Pedestal:	372Kg / 820lbs
Flair Console Flight Case	36Kg
Counterweights (Pedestal Only)	800Kg per side
Track Weight Plate	200Kg
Maximum Camera Payload	20Kg

POWER CONNECTION

Power Requirements	415V 3 Phase
---------------------------	--------------



MARK ROBERTS MOTION CONTROL
 TELEPHONE: +44 (0)1342 838000
 EMAIL: info@mrmoco.com
www.mrmoco.com/boltx

