

# BOLT JR. HIGH SPEED CINEBOT

## High Speed Compact Robotic Arm



BOLT JR. IS A COMPACT, LIGHTER WEIGHT HIGH-SPEED CAMERA ROBOT THAT'S AN AGILE, SMALLER OPTION THAN THE FULL SCALE MPMC BOLT. THE BOLT JR. IS AN IDEAL SOLUTION WHERE SPACE, WEIGHT, MOBILITY AND BUDGET ARE KEY.

Compact High Speed Motion Control Arm

Integrated Camera Cabling Through Arm

Camera Synchronisation for Frame Accurate Repeat Passes

Fastest & Most Powerful Zoom & Focus Motors



**Flair Software:** The industry standard, trusted by Operators & Production Companies worldwide

Moves 3m/s on Track



# Bolt Jr. Specifications



## TURNTABLES

Synchronised motion with external triggers and model movers for extreme precision timing.



## PORTABLE

Portable, lightweight robotic unit, designed to be set-up and ready for shooting in under an hour.



## TIMECODE | LIGHTING

Trigger from timecode | Control DMX Lighting.



## TIMELAPSE

Create incredible timelapse with dynamic movement and feel.



## REPEATABLE

Every camera move under complete control - precisely repeatable.



## TARGET TRACKING

Define location of your object in space, to simplify any complex move.



## LENS CONTROL

High speed, precise control of zoom, iris & lens. Fastest & most powerful motors in the world.



## MAYA

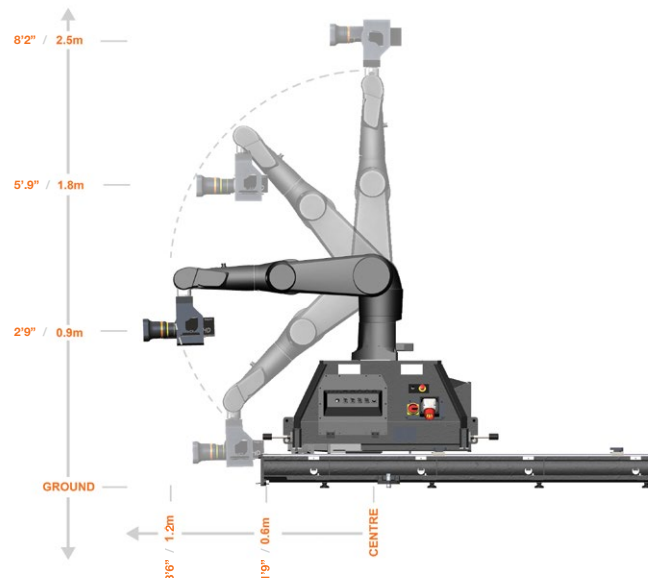
Take moves planned in Maya and feed them into the Bolt - or interface to augmented or virtual reality in real-time.

Operating Envelope	
Maximum Height (from ground)	2.5m / 8'2"
Lowest position	0m / 0'
Maximum reach (from rotate centre)	1.2m / 3'9"

Rig Performance		
Axis	Range of Travel	Max. Speeds
Rotate	+/- 180 degrees	400 degrees per second
Lift	+ 147.5° - 130°	390 degrees per second
Arm	+/- 145 degrees	400 degrees per second
Pan	+/- 270 degrees	540 degrees per second
Tilt	+/- 140 degrees /-115 degrees	475 degrees per second
Roll	+/-270 degrees	760 degrees per second
Track	Unlimited	3 metres per second

Power Connection	
Power requirements	3 x 200 - 400V, 16 Amps
Generator	2k VA (Bolt Jr) 10K VA (Bolt Jr. on Track)

Rig Weights & Payload		
	Kg	Lbs
Bolt Jr. + Base	114 + 180 (294)	648
Camera Payload	10	22



Unparalleled 24/7 Technical Support

Mark Roberts Motion Control  
 Tel: +44 (0)1342 838000  
 Email: info@mrmoco.com  
[www.mrmoco.com/boltjr](http://www.mrmoco.com/boltjr)