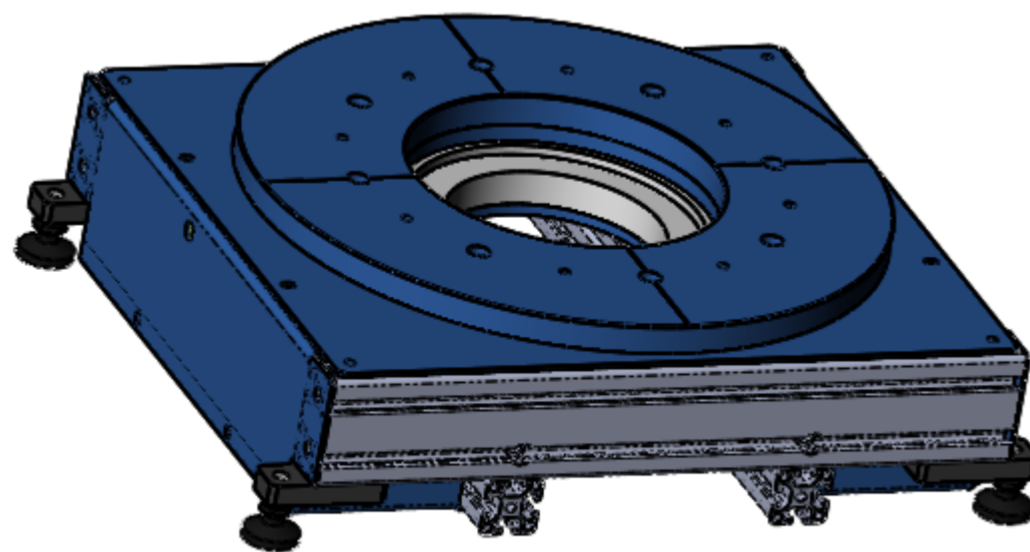
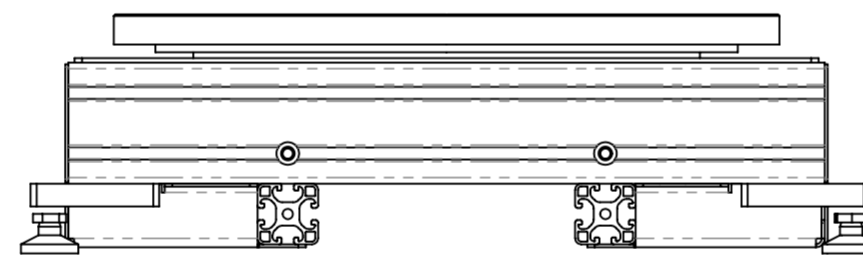
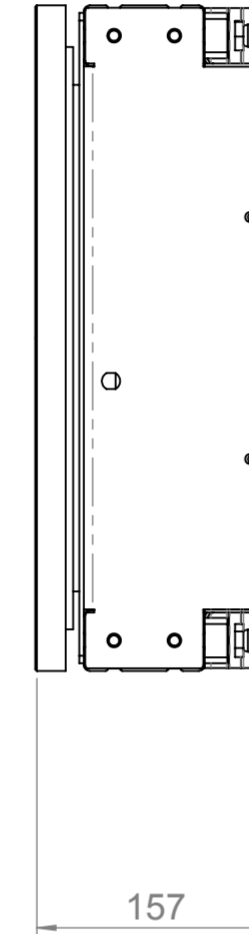
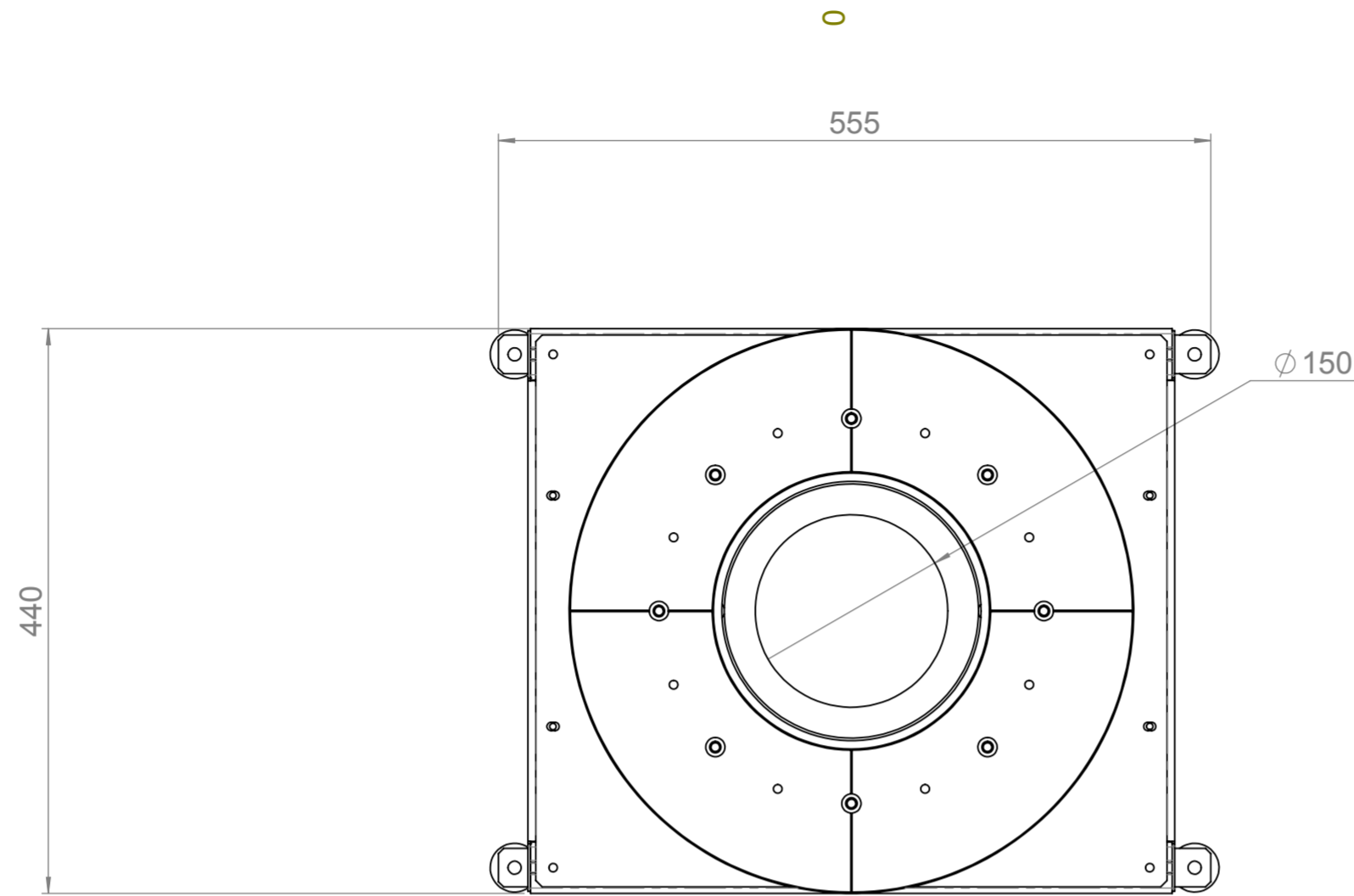


Rotation Speed 90°/s  
Load Capacity 200Kg



**BREAK ALL SHARP EDGES & CORNERS  
REMOVE FIRST THREAD**  
TOLERANCES UNLESS OTHERWISE STATED  
APPLICABLE TO LINEAR,  $\phi$  &  $\text{Ø}$

	X	X.X	X.XX
0 - 3	+/- 0.1	+/- 0.05	+/- 0.025
>3 - 6	+/- 0.2	+/- 0.1	+/- 0.05
>6 - 30	+/- 0.3	+/- 0.15	+/- 0.075
>30 - 120	+/- 0.5	+/- 0.2	+/- 0.1
>120 - 315	+/- 0.6	+/- 0.3	+/- 0.15
≥315 - 1000	+/- 1.0	+/- 0.5	+/- 0.2

(P) = 2 X HOLE DEPTH

ANGULAR	X°	X.X°	X.XX°
	+/- 3°	+/- 1°	+/- 0.5°

SURFACE TEXTURE: 3.2MICRONS

REV	DESCRIPTION	DATE	ID
<b>MARK ROBERTS MOTION CONTROL</b>			
TEL. 01342 838 005		FAX. 01342 838 001	
DRG No: MT 000-01		REV:1	QTY: OFF
PART: MEDIUM LOAD TURNTABLE			
MATERIAL:		DATE:29/01/2014	
STOCK SIZE:		SCALE: 1:5 A2	
FINISH:		SHEET 1 OF 1	
DRAWN: Ronan Carroll		CHECKED:	3rd. ANGLE