

Continually setting new standards in the industry and world leaders in the design and manufacture of motion control technology.

Winners of an Academy Award for Technical & Engineering Achievement.



Unit 4  
Birches Industrial Estate  
Imberhorne Lane  
East Grinstead  
West Sussex, RH19 1XZ

Tel: 44 (0) 1342 334700  
Fax: 44 (0) 1342 334701  
info@mrmoco.com  
www.mrmoco.com

# The SFH-30

## STOPFRAME & TIMELAPSE MOTION CONTROL HEAD

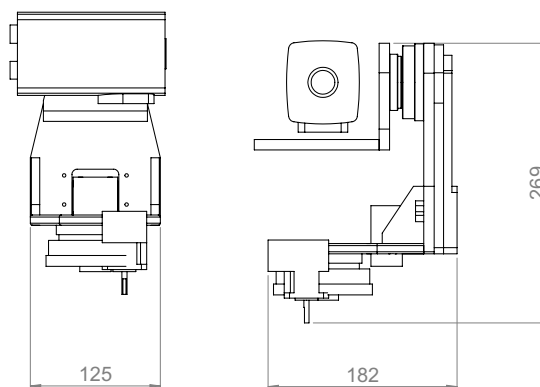
- ▶ Low cost
- ▶ High precision
- ▶ Compact & lightweight
- ▶ Optional homing sensors
- ▶ Optional optical encoders
- ▶ Stepper or Servo motor options
- ▶ Works over-slung or under-slung
- ▶ Can also be used as a model mover
- ▶ Ideal for digital SLR and HD cameras
- ▶ Additional axes available e.g. track, zoom, focus
- ▶ Designed to work with Flair motion control software
- ▶ Precision and repeatability suitable for virtual studios, animation and timelapse



The SFH-30 under-slung

The SFH-30 pan tilt head has been designed to provide precision and accuracy not normally found on similar sized heads, making it suitable for a much wider range of applications. Precise enough to be completely pixel accurate with HD and super-HD cameras, compact and lightweight to be used on any location for that perfect timelapse shot and strong enough to take a wide range of cameras and lenses, the SFH-30 offers a huge scope.

When combined with our Academy Award winning Flair software, it delivers features for every occasion, from Virtual Studio interfacing, to animation, timelapse, timecode triggering, GPI, GPO and of course the head is fast enough to be usable for some live action too.



**Weight:** 5kgs

**Speed:** 30° per second (faster options available)

**Acceleration:** 40°/sec<sup>2</sup>

**Dimensions:** 125mm X 182mm X 269mm

**Camera loads:** >12 kgs

**Supply voltage:** 24 volts/110 - 240 volts AC

**Accuracy:** >.01°

**Resolution:** <.0001°

© Copyright Mark Roberts Motion Control 2008. All Rights Reserved.



The SFH-30 over-slung